

Instruction manual

Page 3

IMPORTANT: Read and understand all instructions before using.

Guide d'utilisation

Page 12

IMPORTANT: Lire et comprendre toutes les instructions avant de démarrer les travaux.

Manual de instrucciones

Página 22

IMPORTANTE: Lea y comprende todas las instrucciones antes de usar.

Instruction manual
Guide d'utilisation
Manual de instrucciones

TRION
PS 300 EQ
PSB 300 EQ



Contents

Safety rules	3
General Power Tool Safety Warnings	3
Specific Safety Rules.....	4
Technical data	5
Symbols	5
Functional description	5
Use for intended purpose	5
Electrical connection and operation	5
Extension cord	6
Tool settings	6
Electronic control	6
Pendulum stroke	6
Adjusting the base runner	7
Fitting the splinterguard	7
Fitting the chip guard	7
The chip extractor	8
Adjusting the sawblade guide	8
Changing the sawblade	8
Working with the tool	8
Metalworking	8
Free hand according to the scribe mark	9
Plunge cutting without pilot drilling	9
Accessories, tools	9
Festool guide system FS	9
Parallel guide	9
Circle cutter	10
Systainer	10
Maintenance and care	10
Warranty	11

Safety rules

General Power Tool Safety Warnings



WARNING! Read all safety warnings and all instructions. Failure to follow the warnings and instructions may result in electric shock, fire and/or serious injury.

Save all warnings and instructions for future reference.

The term “power tool” in the warnings refers to your mains-operated (corded) power tool or batteryoperated (cordless) power tool.

1) Work area safety

a) **Keep work area clean and well lit.** Cluttered or dark areas invite accidents.

b) **Do not operate power tools in explosive atmospheres, such as in the presence of flammable liquids, gases or dust.** Power tools create sparks which may ignite the dust or fumes.

c) **Keep children and bystanders away while operating a power tool.** Distractions can cause you to lose control.

2) Electrical safety

a) **Power tool plugs must match the outlet. Never modify the plug in any way. Do not use any adapter plugs with earthed (grounded) power tools.** Unmodified plugs and matching outlets will reduce risk of electric shock.

b) **Avoid body contact with earthed or grounded surfaces, such as pipes, radiators, ranges and refrigerators.** There is an increased risk of electric shock if your body is earthed or grounded.

c) **Do not expose power tools to rain or wet conditions.** Water entering a power tool will increase the risk of electric shock.

d) **Do not abuse the cord. Never use the cord for carrying, pulling or unplugging the power tool. Keep cord away from heat, oil, sharp edges or moving parts.** Damaged or entangled cords increase the risk of electric shock.

e) **When operating a power tool outdoors, use an extension cord suitable for outdoor use.** Use of a cord suitable for outdoor use reduces the risk of electric shock.

f) **If operating a power tool in a damp location is unavoidable, use a residual current device (RCD) protected supply.** Use of an RCD reduces the risk of electric shock.

3) Personal safety

a) **Stay alert, watch what you are doing and use common sense when operating a power tool. Do not use a power tool while you are tired or under the influence of drugs, alcohol or medication.** A moment of inattention while operating power tools may result in serious personal injury.

b) **Use personal protective equipment. Always wear eye protection.** Protective equipment such as a dust mask, non-skid safety shoes, hard hat, or hearing protection used for appropriate conditions will reduce personal injuries.

c) **Prevent unintentional starting. Ensure the switch is in the off-position before connecting to power source and/or battery pack, picking up or carrying the tool.** Carrying power tools with your finger on the switch or energising power tools that have the switch on invites accidents.

- d) **Remove any adjusting key or wrench before turning the power tool on.** A wrench or a key left attached to a rotating part of the power tool may result in personal injury.
- e) **Do not overreach. Keep proper footing and balance at all times.** This enables better control of the power tool in unexpected situations.
- f) **Dress properly. Do not wear loose clothing or jewellery. Keep your hair and clothing away from moving parts.** Loose clothes, jewellery or long hair can be caught in moving parts.
- g) **If devices are provided for the connection of dust extraction and collection facilities, ensure these are connected and properly used.** Use of dust collection can reduce dust-related hazards.
- h) **Do not let familiarity gained from frequent use of tools allow you to become complacent and ignore tool safety principles.** A careless action can cause severe injury within a fraction of a second.

4) Power tool use and care

- a) **Do not force the power tool. Use the correct power tool for your application.** The correct power tool will do the job better and safer at the rate for which it was designed.
- b) **Do not use the power tool if the switch does not turn it on and off.** Any power tool that cannot be controlled with the switch is dangerous and must be repaired.
- c) **Disconnect the plug from the power source and/or the battery pack from the power tool before making any adjustments, changing accessories, or storing power tools.** Such preventive safety measures reduce the risk of starting the power tool accidentally.
- d) **Store idle power tools out of the reach of children and do not allow persons unfamiliar with the power tool or these instructions to operate the power tool.** Power tools are dangerous in the hands of untrained users.
- e) **Maintain power tools and accessories. Check for misalignment or binding of moving parts, breakage of parts and any other condition that may affect the power tool's operation. If damaged, have the power tool repaired before use.** Many accidents are caused by poorly maintained power tools.
- f) **Keep cutting tools sharp and clean.** Properly maintained cutting tools with sharp cutting edges are less likely to bind and are easier to control.
- g) **Use the power tool, accessories and tool bits etc. in accordance with these instructions, taking into account the working conditions and the**

work to be performed. Use of the power tool for operations different from those intended could result in a hazardous situation.

- h) **Keep handles dry, clean and free from oil and grease.** Slippery handles do not allow for safe handling and control of the tool in unexpected situations.

5) Service

- a) **Have your power tool serviced by a qualified repair person using only identical replacement parts.** This will ensure that the safety of the power tool is maintained.

Specific Safety Rules

- a) **Hold power tool by insulated gripping surfaces, when performing an operation where the cutting accessory may contact hidden wiring or its own cord.** Cutting accessory contacting a "live" wire may make exposed metal parts of the power tool "live" and could give the operator an electric shock.
- b) **Use clamps or another practical way to secure and support the workpiece to a stable platform.** Holding the workpiece by hand or against your body leaves it unstable and may lead to loss of control.

⚠ WARNING TO REDUCE THE RISK OF INJURY, USER MUST READ INSTRUCTION MANUAL.

⚠ WARNING Various dust created by power sanding, sawing, grinding, drilling and other construction activities contains chemicals known (to the State of California) to cause cancer, birth defects or other reproductive harm. Some examples of these chemicals are:

- Lead from lead-based paints,
- Crystalline silica from bricks and cement and other masonry products,
- Arsenic and chromium from chemically-treated lumber.

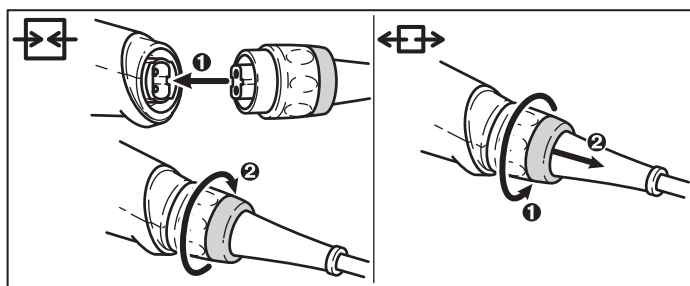
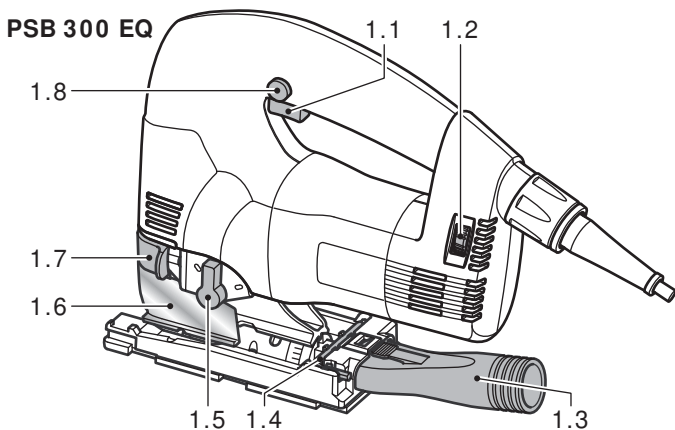
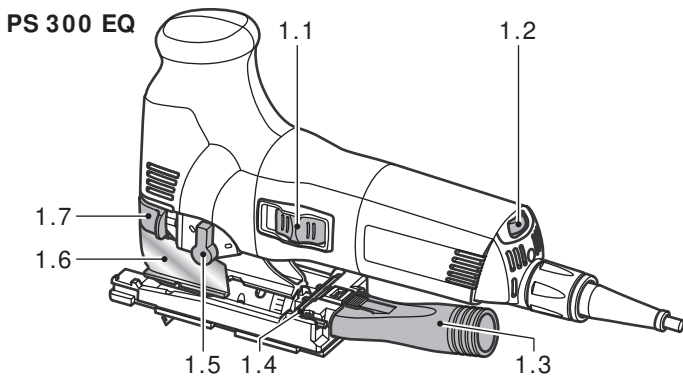
The risk from these exposures varies, depending on how often you do this type of work.



To reduce your exposure to these chemicals work in a well ventilated area and use approved safety equipment, such as dust masks that are specially designed to filter out microscopic particles.

Technical data

Wattage:	720 W
No load speed:	1 000 – 2 900 spm
Stroke length:	26 mm (1.02 in.)
Pendulum stroke:	3 stages
Bevel adjustment:	45° to both sides
Cutting depth (depending on saw blade)	
• wood:	120 mm (4.7 in.)
• aluminium:	20 mm (0.8 in.)
• steel:	10 mm (0.4 in.)
Weight:	2.4 kg (5.2 lbs)
Safety standard:	□ / II



Symbols



Warning of general danger



Read the Operating Instructions/Notes!

V volts

A amperes

Hz hertz

W watt

~ alternating current

η_0 no load speed

□ Class II Construction

spm strokes per minute

Functional description

- [1.1] On/Off switch
- [1.2] Speed controller
- [1.3] Extractor connection piece
- [1.4] Allen key
- [1.5] Pendulum stroke switch
- [1.6] Chip guard
- [1.7] Chuck lever
- [1.8] Locking button (only PSB 300 EQ)

Use for intended purpose

These pendulum jigsaws are designed for sawing wood and wood-like materials. Plastics, steels, aluminum, non-ferrous metals and ceramic tiles can also be cut using special sawblades as recommended in the Festool sales documents for the specific materials.

⚠ WARNING The user shall be liable for damages and accidents resulting from incorrect use.

Electrical connection and operation

The mains (supply) voltage must correspond to the voltage on the rating plate!

See the following Fig. for connecting or disconnecting the power cord of the tool.

⚠ WARNING Always switch the machine off before connecting or disconnecting the power cable!

The **PS 300 EQ** has a slide switch [1.1] to switch the tool on and off (I = ON, 0 = OFF).

The **PSB 300 EQ** has a pushbutton switch [1.1] to switch the tool on and off. This can be locked with the locking button [1.8] for continuous operation.

Press the pushbutton switch again to release the lock.

Extension cord

If an extension power cord is required, it must have sufficient cross-section to prevent an excessive drop in voltage or overheating. An excessive drop in voltage reduces the output and can lead to failure of the motor. The table below shows you the correct cord diameter as a function of the cord length for the PS/PSB 300 EQ.

Total Extension Cord Length (feet)	25	50	100	150
Cord size (AWG)	18	16	12	10

Use only U.L. and CSA listed extension cords. Never use two extension cords together. Instead, use one longer one.

Note: The lower the A.W.G. number, the thicker the cord.

Tool settings

⚠ WARNING Always disconnect the plug from the power supply before making any adjustments to the tool or installing or removing any accessory!

Electronic control

The PS 300 EQ and PSB 300 EQ have control electronics which enable stepless adjustment of the stroke rate between 1000 and 2900 strokes per minute. The desired stroke rate is set with the speed controller **[3.1, 3.2]**:

Recommended stroke rate (speed controller setting):

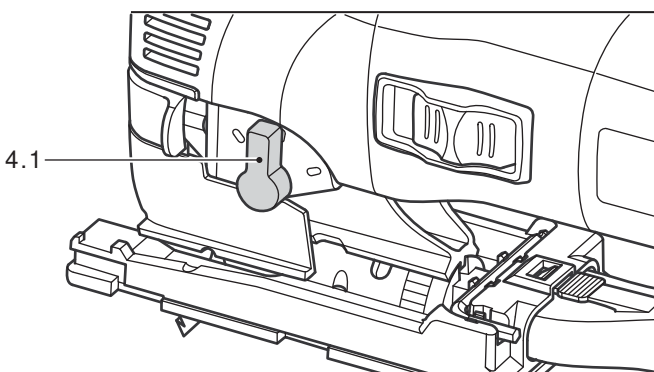
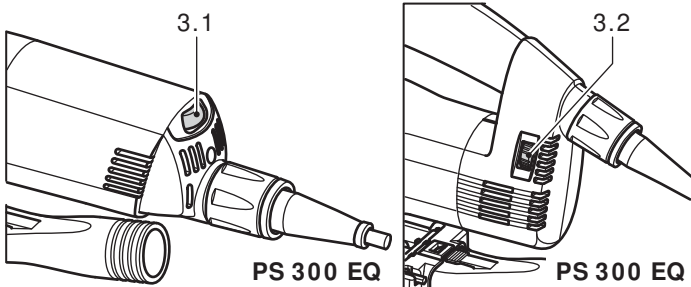
Hard and soft wood, wood core plywood:	6
Plywood, chip board:	6
Wood fiberboard:	4-6
Plastics:	3-6
Ceramic:	3-5
Aluminum, NF metals:	3-5
Steel:	2-4

Pendulum stroke

In order to cut different materials with an optimum feed movement, these pendulum jigsaws have an adjustable pendulum stroke. Select the desired setting with the pendulum stroke switch **[4.1]**:

Setting 0 = pendulum stroke off

Setting 3 = maximum pendulum stroke



Recommended pendulum stroke settings:

Hard and soft wood:	1-3
Wood core plywood, plywood:	1-2
Chipboard, wood fiberboard:	1-3
Plastics:	1-2
Ceramic:	0
Aluminum, NF metals:	0-2
Steel:	0-1

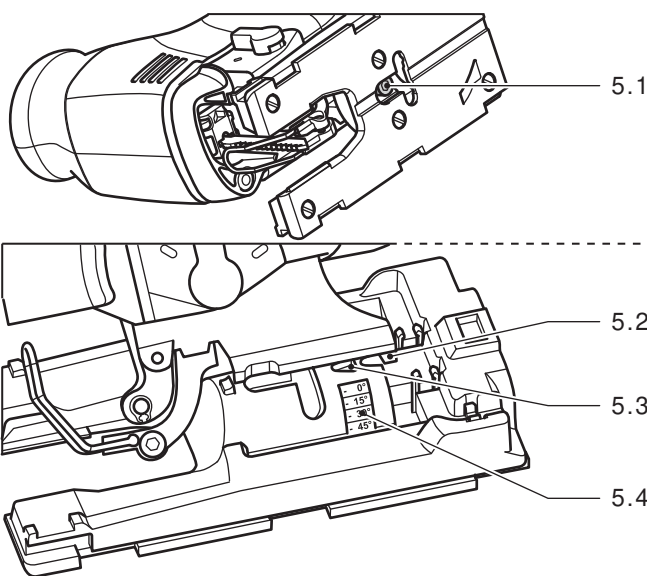
Adjusting the base runner

The base runner can be swiveled to both sides by up to 45° for bevel cuts:

- Turn off and unplug tool.
- Remove chip guard and splinterguard.
- Release locking screw **[5.1]** with Allen key.
- Push base runner approx. 5 mm (1/5") forwards.
- Set desired inclination according to the scale **[5.4]**.
- Tighten locking screw **[5.1]**.

The base runner can be moved back for sawing close to edges.

- Turn off and unplug tool.
- Remove chip guard and splinterguard.
- Release locking screw **[5.1]** with Allen key.
- Push base runner to rear position so that the centering pin **[5.2]** fits in the opening **[5.3]**.
- Tighten locking screw **[5.1]**.



Fitting the splinterguard

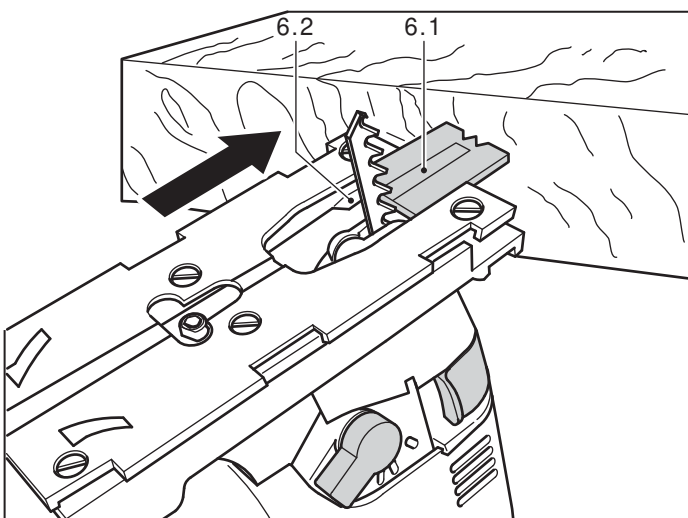
The splinterguard allows cuts with splinter-free edges, even on the exit side of the sawblade.

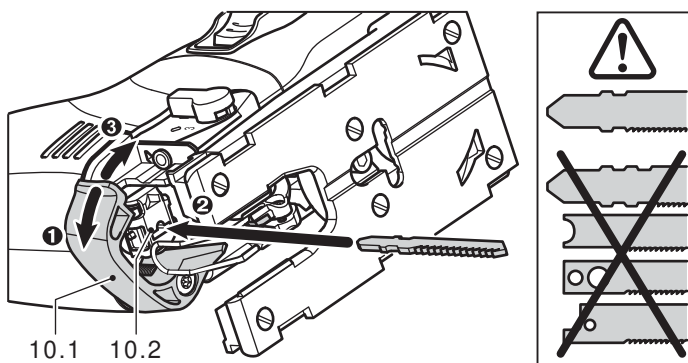
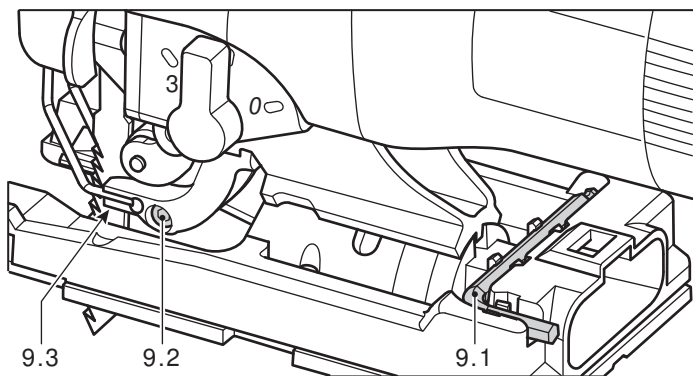
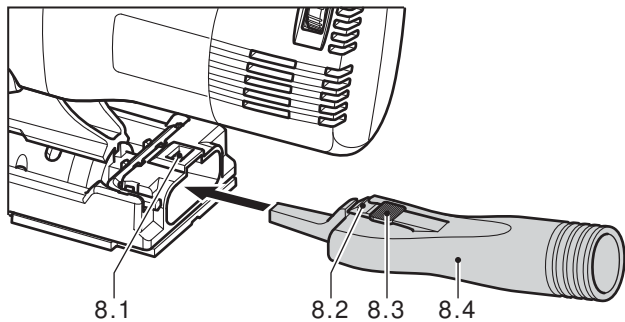
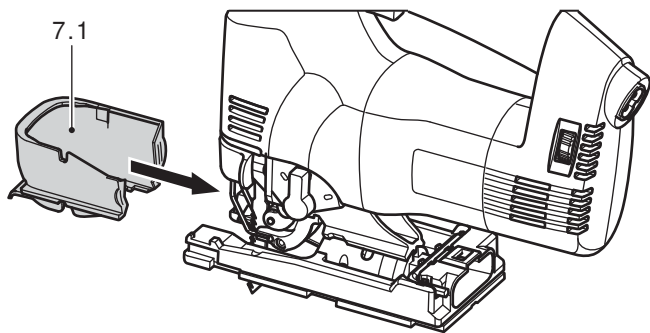
- With the tool switched off and unplugged, fit the splinterguard **[6.1]** on the guide **[6.2]** up to the sawblade.
- Switch the jigsaw on and with the tool running, use the tool to push the splinterguard in and cut on a level surface until the splinterguard is flush with the front edge of the base runner.

Note: The splinterguard must lie close to the sawblade on both sides to ensure reliable operation. Thus, a new splinterguard should be fitted every time the sawblade is changed to ensure splinter-free cuts.

Fitting the chip guard

The chip guard prevents chips from flying off and improves the efficiency of the chip extractor.





- Turn off and unplug tool.
- Insert the chip guard **[7.1]** between the base runner and chuck lever, and push back with slight pressure until it catches in place.

The chip extractor

Jigsaws can be connected to a dust extractor (hose diameter 27 mm / 1.06") using the extractor adapter **[8.4]**.

- Turn off and unplug tool.
- Insert the extractor adapter into the rear hole of the base runner in so that the hook **[8.2]** catches in the notch **[8.1]**.
- Press the lever **[8.3]** to remove the extractor adapter. The integrated blow-off system comes into effect if working with a dust extractor. A directed jet of air ensues that chips do not obscure the scribe mark.

Adjusting the sawblade guide

These pendulum jigsaws have an additional carbide guide **[9.3]** immediately above the workpiece for better blade guidance.

- Turn off and unplug tool.
- Tighten the screw **[9.2]** with the Allen key **[9.1]** until the jaws almost rest against the sawblade.

CAUTION The sawblade must still move easily!

Changing the sawblade

- Turn off and unplug tool.
- Open chuck lever **[10.1]** up to the stop.
- Remove sawblade.
- Insert new sawblade all the way to the stop in the sawblade holder **[10.2]**.
- Close chuck lever.

Working with the tool

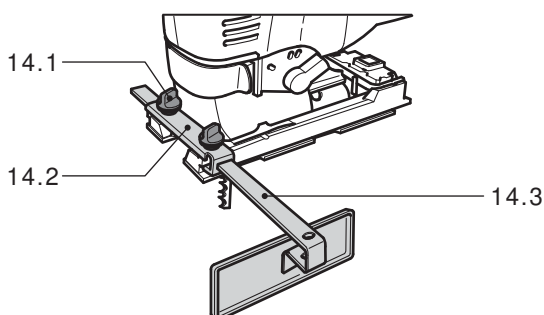
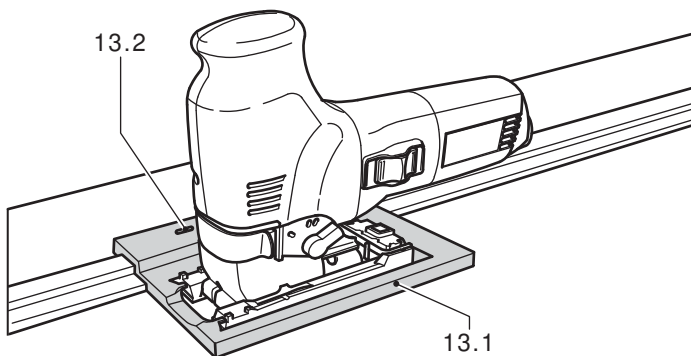
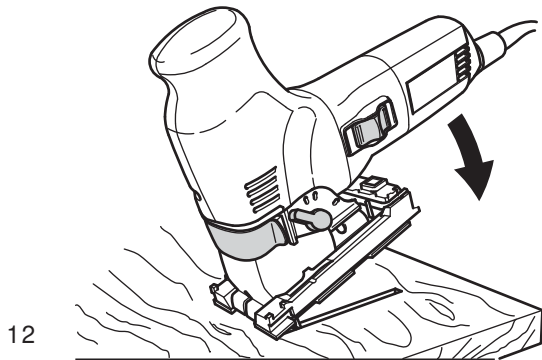
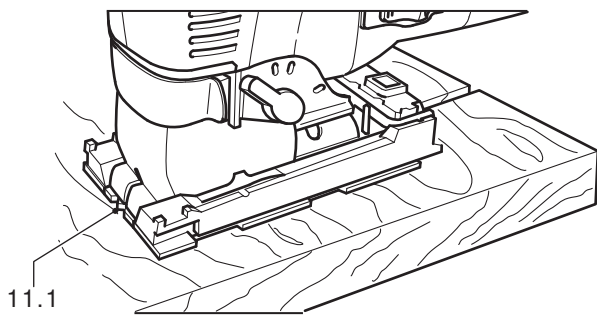
WARNING With the tool switched off and unplugged, check for tight fit of the sawblade before starting work.

WARNING Always apply the pendulum jigsaw to the workpiece with the sawblade running.

Metalworking

WARNING Take the following safety precautions when cutting metals:

- Connect a residual current operated device in series before the tool.
- Connect tool to a suitable dust extractor.



- Clean tool regularly of dust accumulations in the motor housing.
- Wear protective goggles.

Free hand according to the scribe mark

The point at the leading edge of the splinterguard **[11.1]** points to the blade cut line, making it easier to cut to a scribe mark.

Plunge cutting without pilot drilling

The base runner must be in the front position for plunge cuts in wood materials (basic setting).

Place the saw on the front edge of the runner. Set saw to maximum stroke rate and pendulum stroke setting 3, and start the plunge cut into the workpiece [illustration 12].

Accessories, tools

⚠ WARNING For safety reasons, only use original Festool accessories and tools!

Festool offers sawblades which are ideally matched to your Festool jigsaw and application, to ensure quick and clean cuts in a variety of materials.

The accessory and tool order number can be found in the Festool catalogue or on the Internet under www.festoolusa.com.

Festool guide system FS

The use of the Festool guide system FS facilitates the production of straight and precise cuts, particularly with material thicknesses up to 20 mm (1/4"). To do this, the jigsaw is placed in a guide stop **[13.1]** (490031) and guided along the guide rail.

The guide stop has two adjustable limit stops **[13.2]** for a setting free from play.

Parallel guide

Use the parallel guide (486719) to guide the jigsaw parallel to the workpiece edge.

The parallel guide can be fitted on both sides of the base runner:

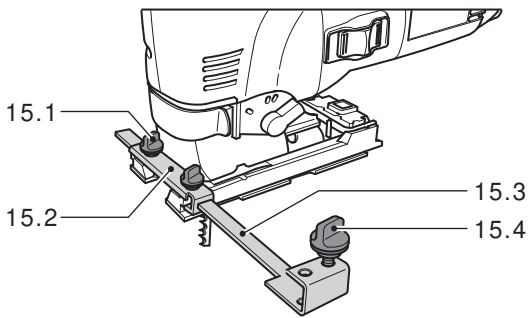
- Turn off and unplug tool.
- Slide clamping clip **[14.2]** onto the base runner from the front.
- Insert parallel guide **[14.3]** through the clamping clip from the side to the desired position.
- Tighten rotary knob **[14.1]**.

Circle cutter

The circle cutter (490118) can be used to produce circular cuts with a diameter between 120 and 720 mm (4.7" - 28.3").

The circle cutter can be fitted to either side of the base runner:

- Turn off and unplug tool.
- Slide clamping clip **[15.2]** onto the base runner from the front.
- Insert circle cutter **[15.3]** through the clamping clip from the side to the desired position.
- Tighten rotary knob **[15.1]**.
- Insert circle tip **[15.4]** in the rear bore hole of the circle cutter.



Systainer

Many Festool products are shipped in a unique system container, called "Systainer". This provides protection and storage for the tool and accessories. The Systainers are stackable and can be interlocked together. They also can be interlocked atop Festool CT dust extractors.



To open the Systainer:

- Turn the T-loc **[16.1]** to the position .

To lock the Systainer:

- Turn the T-loc **[16.1]** to the position .

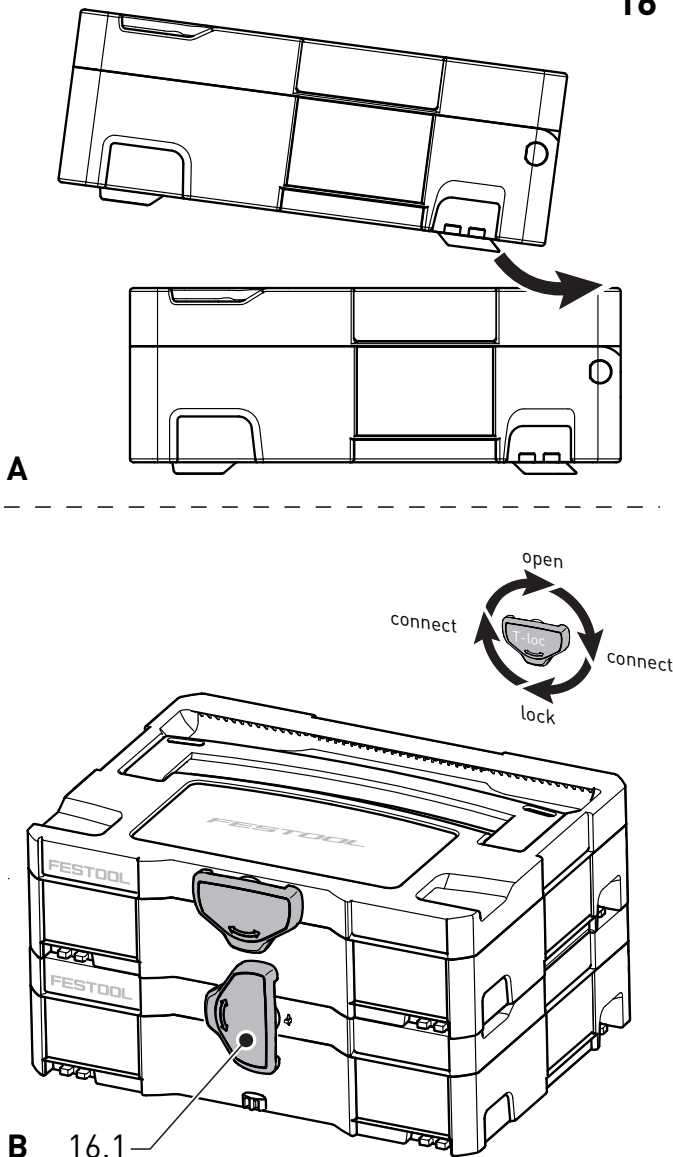
To connect two Systainers:

- Place one Systainer on the top of the other (Fig. 16 A).
- Turn the T-loc **[16.1]** to the position  or  (Fig. 16 B).

The Systainers are connected and locked.

- ① A new generation Systainer is connectable on top of a previous generation Systainer by the four latches of the previous Systainer.

16



Maintenance and care

⚠ WARNING Any maintenance or repair work requiring the motor housing to be opened may only be carried out by an authorized service workshop. Maintenance or repair work carried out by an unauthorized person can lead to the wrong connection of the power leads or other components, which in turn can lead to accidents with serious consequences.

⚠ WARNING Always remove the plug from the mains supply socket before carrying out any work on the machine!

Always keep the machine and the ventilation slots clean.

Warranty

Festool offers a 3 year limited warranty, one of the strongest in the industry. This warranty is valid on the pre-condition that the tool is used and operated in compliance with the Festool operating instructions. Festool warrants that the specified tool will be free from defects in materials and workmanship for a term of 3 years from the date of purchase.

Conditions of 1 + 2 warranty

All customers receive a free extended limited warranty (1 year + 2 years = 3 Years) on new Festool power tools purchased from an authorized retailer. Festool is responsible for all shipping costs during the first year of the warranty. During the second and third year of the warranty the customer is responsible for shipping the tool to Festool. Festool will pay for return shipping to the customer using UPS Ground Service. All warranty service is valid 3 years from the date of purchase on your receipt or invoice. Proof of purchase may be required.

Excluded from the coverage under this warranty are: normal wear and tear, damages caused by misuse, abuse, or neglect; damage caused by anything other than defects in material and workmanship. This warranty does not apply to accessory items such as circular saw blades, drill bits, router bits, jigsaw blades, sanding belts, and grinding wheels. Operating a tool at a voltage or frequency different from the tool's rating will void the warranty. This includes the usage of the tool in combination with a transformer. Festool does not condone nor support the use of any non-Festool engineered, designed, and manufactured accessories or consumables with Festool products. Use of any non-Festool products may affect performance or void the warranty. Festool is not

responsible for any damages or losses incurred and user assumes all risk and responsibility with non-Festool derived products. Also excluded are "wearing parts," such as carbon brushes, lamellas of air tools, rubber collars and seals, sanding discs and pads, and Festool gear (hats and shirts).

The obligations of Festool in its sole discretion under this warranty shall be limited to repair or replacement or a refund of the purchase price for any Festool portable power tool that is found to have a defect in materials or workmanship during the warranty period. FESTOOL SHALL NOT BE LIABLE FOR ANY CONSEQUENTIAL, INCIDENTAL OR SPECIAL DAMAGES REGARDLESS OF THE THEORY OF LAW ON WHICH THE CLAIM IS BASED. ALL WARRANTIES IMPLIED BY STATE LAW, INCLUDING THE IMPLIED WARRANTIES OR MERCHANTABILITY AND FITNESS FOR A PARTICULAR PURPOSE ARE HEREBY LIMITED TO THE DURATION OF THREE YEARS.

Some states in the U.S. and some Canadian provinces do not allow the limitations on how long an implied warranty lasts, so the above limitation may not apply to you. This warranty gives you specific legal rights, and you may also have other rights that vary from state to state in the U.S. and from province to province in Canada.

With the exception of any warranties implied by state or province law as limited above, the foregoing express limited warranty is exclusive and in lieu of all other warranties, guarantees, agreements, and similar obligations of Festool. Festool makes no other warranty, express or implied, for Festool portable power tools. This warranty policy is only valid for tools that are purchased in the US and Canada. Warranty policies of other countries may vary when obtaining warranty service outside the US and Canada. Some countries do exclude warranty for products bought outside their territory. Festool reserves the right to reject the repair of any tool that is not part of the US/Canada product line. No agent, representative, distributor, dealer, or employee of Festool has the authority to increase or otherwise change the obligations or limitations of this warranty.

Table des matières

Réglés de sécurité	12
Règles de sécurité générales	12
Règle de sécurité particulière pour les scies alternatives	14
Caractéristiques techniques	14
Symbole	14
Description fonctionnelle	15
Utilisation conforme	15
Raccordement électrique et mise en service 15	
Câble de rallonge	15
Réglages de l'outil	16
Réglage électronique	16
Mouvement pendulaire	16
Réglage de la table de sciage	17
Installation du pare-éclats	17
Installation de la protection anti-projection de copeaux	17
Aspiration des copeaux	18
Réglage du guidage de lame	18
Remplacement de la lame	18
Utilisation de l'outil	18
Traitement des métaux	19
Sans guidage selon le tracé	19
Plongée sans perçage préalable	19
Accessoires, outils	19
Système de guidage Festool FS	19
Butée parallèle	20
Outil de coupe circulaire	20
Systainer	20
Entretien et maintenance	21
Garantie	21

Réglés de sécurité

Règles de sécurité générales



ATTENTION ! Lire toutes les consignes de sécurité et indications. Le non-respect des avertissements et instructions indiqués ci-après peut entraîner un choc électrique, un incendie et/ou de graves blessures.

Conserver tous les avertissements et toutes les instructions pour pouvoir s'y reporter ultérieurement.

Le terme "outil" dans les avertissements fait référence à votre outil électrique alimenté par le secteur (avec cordon d'alimentation) ou votre outil fonctionnant sur batterie (sans cordon d'alimentation).

1 PLACE DE TRAVAIL

- Maintenez l'endroit de travail propre et bien éclairé.** Un lieu de travail en désordre ou mal éclairé augmente le risque d'accidents.
- N'utilisez pas l'appareil dans un environnement présentant des risques d'explosion et où se trouvent des liquides, des gaz ou poussières inflammables.** Les outils électroportatifs génèrent des étincelles risquant d'enflammer les poussières ou les vapeurs.
- Tenez les enfants et autres personnes éloignés durant l'utilisation de l'outil électroportatif.** En cas d'inattention vous risquez de perdre le contrôle sur l'appareil.

2 SECURITE RELATIVE AU SYSTEME ELECTRIQUE

- La fiche de secteur de l'outil électroportatif doit être appropriée à la prise de courant. Ne modifiez en aucun cas la fiche. N'utilisez pas de fiches d'adaptateur avec des appareils avec mise à la terre.** Les fiches non modifiées et les prises de courant appropriées réduisent le risque de choc électrique.
- Évitez le contact physique avec des surfaces mises à la terre tels que tuyaux, radiateurs, fours et réfrigérateurs.** Il y a un risque élevé de choc électrique au cas où votre corps serait relié à la terre.
- N'exposez pas l'outil électroportatif à la pluie ou à l'humidité.** La pénétration d'eau dans un outil électroportatif augmente le risque d'un choc électrique.
- N'utilisez pas le câble à d'autres fins que celles prévues, n'utilisez pas le câble pour porter l'appareil ou pour l'accrocher ou encore pour le débrancher de la prise de courant. Maintenez le câble éloigné des sources de chaleur, des parties grasses, des bords tranchants ou des parties de l'appareil en rotation.** Un câble endommagé ou torsadé augmente le risque d'un choc électrique.
- Au cas où vous utiliseriez l'outil électroportatif à l'extérieur, utilisez une rallonge autorisée homologuée pour les applications extérieures.** L'utilisation d'une rallonge électrique homolo-

guée pour les applications extérieures réduit le risque d'un choc électrique.

- f) **Si l'usage d'un outil dans un emplacement humide est inévitable, utiliser une alimentation protégée par un dispositif à courant différentiel résiduel (RCD).** L'usage d'un RCD réduit le risque de choc électrique.

3 SECURITE DES PERSONNES

- a) **Restez vigilant, surveillez ce que vous faites. Faites preuve de bon en utilisant l'outil électroportatif. N'utilisez pas l'appareil lorsque vous êtes fatigué ou après avoir consommé de l'alcool, des drogues ou avoir pris des médicaments.** Un moment d'inattention lors de l'utilisation de l'appareil peut entraîner de graves blessures sur les personnes.
- b) **Portez des équipements de protection. Portez toujours des lunettes de protection.** Le fait de porter des équipements de protection personnels tels que masque anti-poussières, chaussures de sécurité antidérapantes, casque de protection ou protection acoustique suivant le travail à effectuer, réduit le risque de blessures.
- c) **Evitez une mise en service par mégarde. Assurez-vous que l'interrupteur est effectivement en position d'arrêt avant de retirer la fiche de la prise de courant.** Le fait de porter l'appareil avec le doigt sur l'interrupteur ou de brancher l'appareil sur la source de courant lorsque l'interrupteur est en position de fonctionnement, peut entraîner des accidents.
- d) **Enlevez tout outil de réglage ou toute clé avant de mettre l'appareil en fonctionnement.** Une clé ou un outil se trouvant sur une partie en rotation peut causer des blessures.
- e) **Ne surestimez pas vos capacités. Veillez à garder toujours une position stable et équilibrée.** Ceci vous permet de mieux contrôler l'appareil dans des situations inattendues.
- f) **Portez des vêtements appropriés. Ne portez pas de vêtements amples, ni de bijoux. Gardez les cheveux et les vêtements à distance des pièces mobiles.** Des vêtements amples, des bijoux ou des cheveux longs peuvent être happés par les pièces en mouvement.
- g) **Si des dispositifs servant à aspirer ou à recueillir les poussières doivent être utilisés, vérifiez que ceux-ci soient effectivement raccordés et qu'ils sont correctement utilisés.** L'utilisation de tels dispositifs réduit les dangers dus aux poussières.
- h) **Ne devenez pas trop sûr de vous, par habitude suite à une utilisation fréquente de l'appareil, de manière à ne pas respecter les principes de**

sécurité de base de l'appareil. Une action imprudente peut occasionner de graves blessures en l'espace d'une fraction de seconde.

4 UTILISATION ET EMPLOI SOIGNEUX DE L'OUTIL ELECTROPORTATIF

- a) **Ne surchargez pas l'appareil. Utilisez l'outil électroportatif approprié au travail à effectuer.** Avec l'outil électroportatif approprié, vous travaillerez mieux et avec plus de sécurité à la vitesse pour laquelle il est prévu.
- b) **N'utilisez pas un outil électroportatif dont l'interrupteur est défectueux.** Un outil électroportatif qui ne peut plus être mis en ou hors fonctionnement est dangereux et doit être réparé.
- c) **Retirer la fiche de la prise de courant avant d'effectuer des réglages sur l'appareil, de changer les accessoires, ou de ranger l'appareil.** Cette mesure de précaution empêche une mise en fonctionnement par mégarde.
- d) **Gardez les outils électroportatifs non utilisés hors de portée des enfants. Ne permettez pas l'utilisation de l'appareil à des personnes qui ne se sont pas familiarisées avec celui-ci ou qui n'ont pas lu ces instructions.** Les outils électroportatifs sont dangereux lorsqu'ils sont utilisés par des personnes non initiées.
- e) **Prenez soin des outils électroportatifs. Vérifiez que les parties en mouvement fonctionnent correctement et qu'elles ne soient pas coincées, et contrôlez si des parties sont cassées ou endommagées de telle sorte que le bon fonctionnement de l'appareil s'en trouve entravé. Faites réparer les parties endommagées avant d'utiliser l'appareil.** De nombreux accidents sont dus à des outils électroportatifs mal entretenus.
- f) **Maintenez les outils de coupe aiguisés et propres.** Des outils soigneusement entretenus avec des bords tranchants bien aiguisés se coincent moins souvent et peuvent être guidés plus facilement.
- g) **Utilisez les outils électroportatifs, les accessoires, les outils à monter etc. conformément à ces instructions et aux prescriptions en vigueur pour ce type d'appareil. Tenez compte également des conditions de travail et du travail à effectuer.** L'utilisation des outils électroportatifs à d'autres fins que celles prévues peut entraîner des situations dangereuses.
- h) **Gardez les poignées dans un état sec, propre et exempt d'huile et de graisse.** Des poignées glissantes ne permettent pas une prise en main sûre et le contrôle de l'outil électrique dans des situations inattendues.

5 SERVICE

- a) **Ne faites réparer votre outil électroportatif que par un personnel qualifié et seulement avec des pièces de rechange d'origine.** Ceci permet d'assurer la sécurité de l'appareil.

Règle de sécurité particulière pour les scies alternatives

a) **Tenez l'outil par ses surfaces de prise isolées pendant toute opération où l'accessoire de coupe pourrait venir en contact avec un câble dissimulé ou avec son propre cordon.** En cas de contact avec un conducteur sous tension, les pièces métalliques à découvert de l'outil transmettraient un choc électrique à l'utilisateur.

b) **Fixez et bloquez la pièce au moyen de serre-joints ou d'une autre manière sur un support stable.** Si vous maintenez la pièce uniquement avec la main ou la bloquez uniquement contre votre corps, elle reste instable, ce qui peut conduire à une perte de contrôle.

⚠ AVERTISSEMENT POUR RÉDUIRE LE RISQUE DE DOMMAGES, L'UTILISATEUR DOIT LIRE LE MANUEL D'INSTRUCTION.

⚠ AVERTISSEMENT Certaines poussières créées par le ponçage mécanique, le sciage, le meulage, le perçage et autres activités reliées à la construction contiennent des substances chimiques connues (dans l'État de la Californie) comme pouvant causer le cancer, des anomalies congénitales ou représenter d'autres dangers pour la reproduction. Voici quelques exemples de telles substances:

- plomb provenant de peintures à base de plomb,
- silice cristallisée utilisée dans les briques, le ciment et autres matériaux de maçonnerie, et
- arsenic et chrome du bois d'œuvre traité avec un produit chimique.

Le risque d'exposition à de tels produits varie selon la fréquence à laquelle vous faites ce genre de travail.



Pour réduire les risques d'exposition à ces substances chimiques : travaillez dans un endroit adéquatement ventilé et utilisez un équipement de sécurité approuvé, tel que masques antipoussières spécialement conçus pour filtrer les particules microscopiques.

Caractéristiques techniques

Puissance absorbée:	720 W
Vitesse à vide:	1 000 - 2 900 cps/min
Longueur de course:	26 mm (1.02 in.)
Mouvement pendulaire:	3 niveaux
Réglage d'inclinaison:	45° sur les deux côtés
Profondeur de coupe (en fonction de la lame)	
• bois:	120 mm (4.7 in.)
• aluminium:	20 mm (0.8 in.)
• acier:	10 mm (0.4 in.)
Poids:	2.4 kg (5.2 lbs)
Sécurité:	□ / II

Symbole



Avertissement de danger



Lire les instructions / les remarques !

V Volt

A Ampère

Hz Hertz

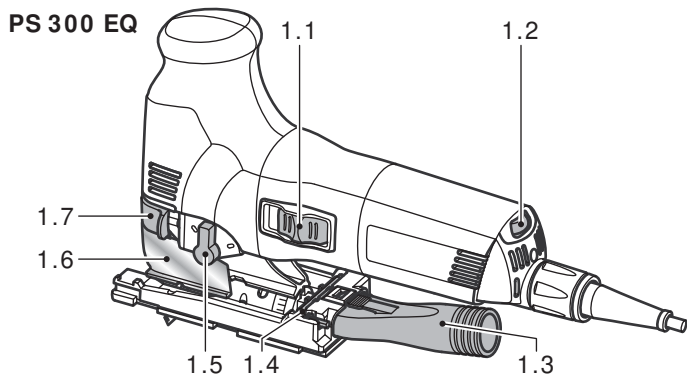
W Watt

~ Tension alternative

n_0 Vitesse de rotation à vide

□ Classe II conception

cps/min Coupes par minute



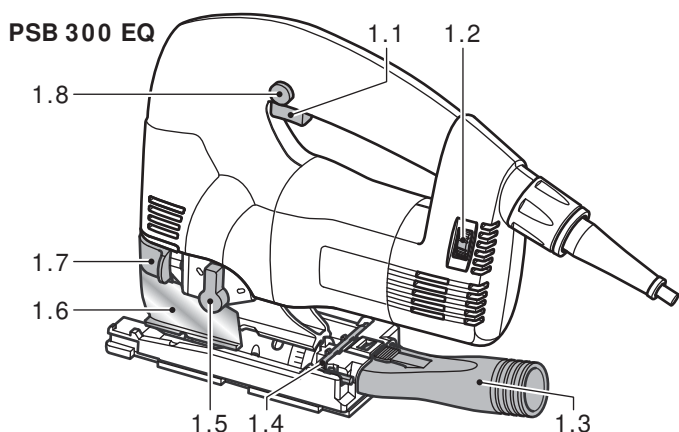
Description fonctionnelle

- [1.1] Interrupteur marche/arrêt
- [1.2] Régulateur de vitesse de rotation
- [1.3] Manchon d'aspiration
- [1.4] Clé Allen
- [1.5] Commutateur de mouvement pendulaire
- [1.6] Protection anti-projection des copeaux
- [1.7] Levier de serrage
- [1.8] Bouton de blocage (seulement PSB 300 EQ)

Utilisation conforme

Les scies sauteuses pendulaires sont prévues, dans le cadre d'une utilisation conforme, pour scier le bois et d'autres matériaux semblables. Des lames spéciales, telles qu'elles sont conseillées dans les documents de vente Festool pour les différents matériaux, peuvent être utilisées pour travailler les matériaux synthétiques, l'acier, l'aluminium, les métaux non ferreux et les tuiles de céramique.

⚠ AVERTISSEMENT L'utilisateur est tenu responsable de tout dommage et accident en cas d'utilisation non conforme.



Raccordement électrique et mise en service

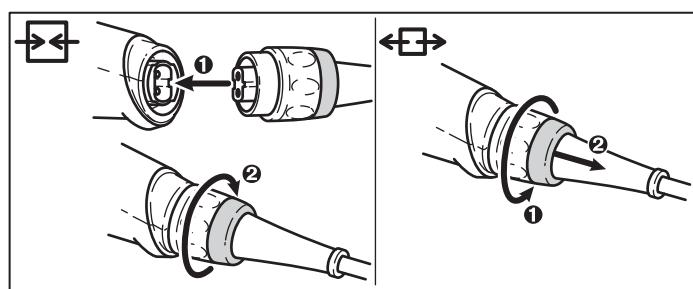
La tension du réseau doit correspondre à la tension indiquée sur la plaque signalétique!

Voir la connexion et la déconnexion du câble de raccordement secteur sur la figure ci-dessous.

⚠ AVERTISSEMENT Avant de brancher ou de débrancher le câble de raccordement secteur, il est absolument indispensable de toujours éteindre la machine !

La **PS 300 EQ** possède un commutateur Arrêt/marche à coulisse [1.1] (I = MARCHE, 0 = ARRÊT).

La **PSB 300 EQ** possède un commutateur Arrêt/marche à poussoir [1.1]. Il peut être verrouillé avec le bouton de blocage [1.8] pour une utilisation en régime continu. Il suffit de réappuyer sur le commutateur à poussoir pour déverrouiller le blocage.



Câble de rallonge

Si une rallonge électrique est nécessaire, elle doit présenter une section suffisante afin d'éviter une chute de tension excessive ou une surchauffe. Une chute de tension excessive réduit la puissance et peut entraîner une défaillance du moteur. Le tableau suivant vous présente la section correcte du câble en fonction de sa longueur pour la norme PS/PSB 300 EQ.

Longueur totale rallonge (pieds)	25	50	100	150
Section du câble (AWG)	18	16	12	10

Utilisez exclusivement des rallonges recommandées par U.L. et CSA. N'utilisez jamais deux rallonges branchées l'une après l'autre. Remplacez-les par une rallonge plus longue.

Remarque : Plus le numéro A.W.G. est petit, plus le câble est gros.

Réglages de l'outil

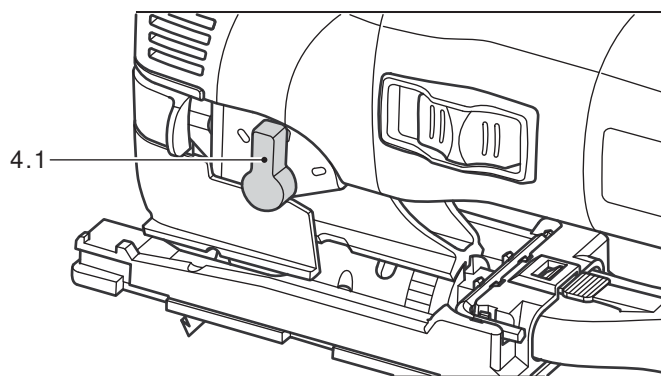
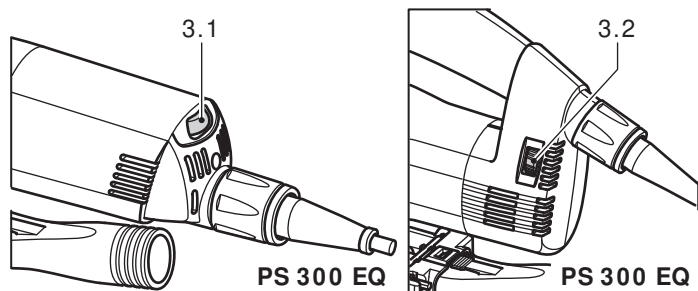
⚠ AVERTISSEMENT Débranchez toujours la fiche de la source de courant avant d'entreprendre quelque réglage que ce soit sur l'outil ou avant de monter/démonter un accessoire !

Réglage électronique

La PS 300 EQ et la PSB 300 EQ possèdent un système électronique de régulation permettant de régler en continu le régime entre 1000 et 2900 coupes/minute. Le régime souhaité se règle au moyen de la régulateur de vitesse de rotation **[3.1, 3.2]**.

Régime conseillé (pos. de la régulateur de vitesse de rotation) :

Bois dur et bois tendre, lamellé collé:	6
Contreplaqué, panneaux d'aggloméré:	6
Panneaux de fibres:	4-6
Matériaux synthétiques:	3-6
Céramique:	3-5
Métaux NF:	3-5
Acier:	2-4



Mouvement pendulaire

Pour pouvoir traiter différents matériaux avec un avancement optimal, les scies sauteuses pendulaires ont un mouvement pendulaire réglable. Le commutateur de mouvement pendulaire **[4.1]** permet de choisir la position qui convient :

position 0 = mouvement pendulaire désactivé
position 3 = mouvement pendulaire maximum

Réglages conseillés du mouvement pendulaire:

Bois dur et bois tendre:	1-3
Lamellé collé, contreplaqué:	1-2
Panneaux d'aggloméré, panneaux de fibres:	1-3
Matériaux synthétiques:	1-2
Céramique:	0
Aluminium, métaux non ferreux:	0-2
Acier:	0-1

Réglage de la table de sciage

La table de sciage peut être pivotée jusqu'à 45° sur les deux côtés pour effectuer des coupes en biais :

- Éteignez et débranchez l'outil.
- Enlevez la protection anti-projection et le pare-éclats.
- Desserrez la vis de blocage **[5.1]** à l'aide de la clé Allen.
- Faites glisser la table de sciage d'environ 5 mm (1/5") vers l'avant.
- Réglez l'inclinaison souhaitée à l'aide de l'échelle **[5.4]**.
- Resserrez la vis de blocage **[5.1]**.

La table de sciage peut être déplacée vers l'arrière pour permettre de scier près des bords :

- Éteignez et débranchez l'outil.
- Enlevez la protection anti-projection et le pare-éclats.
- Desserrez la vis de blocage [5.1] à l'aide de la clé Allen.
- Faites glisser la table de sciage en position arrière, de telle façon que le mandrin de serrage **[5.2]** rentre dans l'ouverture **[5.3]**.
- Resserrez la vis de blocage **[5.1]**.

Installation du pare-éclats

Le pare-éclats permet d'effectuer des coupes avec des rebords de coupe non déchirés, y compris du côté de sortie de la lame.

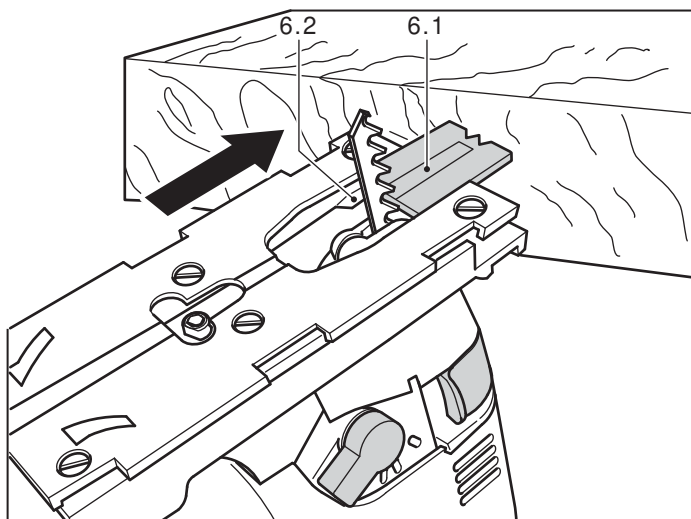
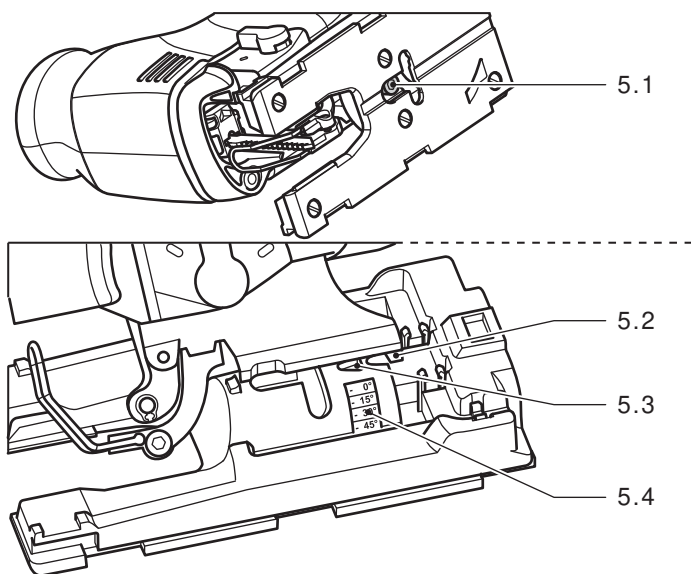
- La machine éteinte, glissez le pare-éclats **[6.1]** sur le guidage **[6.2]** jusqu'à la lame.
- Mettez la scie sauteuse en marche, et pendant qu'elle fonctionne, repoussez le pare-éclats sur une surface plane tout en sciant jusqu'à ce que le pare-éclats affleure avec le bord avant de la table de sciage.

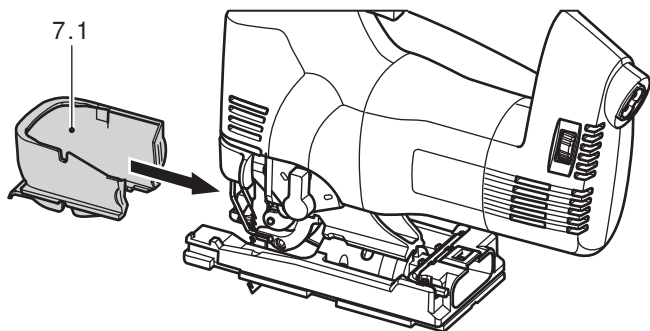
Remarque : Pour que le pare-éclats fonctionne de façon fiable, il doit entourer les deux côtés de la lame de façon étanche. Il est donc conseillé, pour avoir une coupe sans déchirures, de mettre un nouveau pare-éclats à chaque remplacement de lame.

Installation de la protection anti-projection de copeaux

La protection anti-projection des copeaux empêche les copeaux d'être éjectés et augmente l'efficacité du système d'aspiration.

- Éteignez et débranchez l'outil.



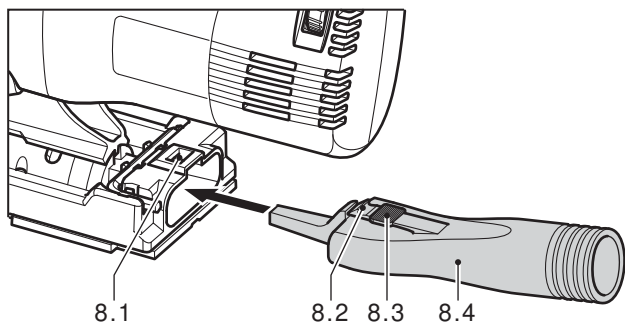


- Insérez la protection anti-projection des copeaux **[7.1]** entre la table de sciage et le levier de serrage et poussez-la vers l'arrière en exerçant une légère pression, jusqu'à ce qu'elle s'enclenche.

Aspiration des copeaux

Grâce à l'adaptateur d'aspiration **[8.4]**, il est possible de raccorder les scies sauteuses à un aspirateur (diamètre du flexible 27 mm / 1.06").

- Éteignez et débranchez l'outil.
- Enfichez l'adaptateur d'aspiration dans l'ouverture arrière de la table de sciage de telle façon que le crochet **[8.2]** s'enclenche dans l'échancrure **[8.1]**.
- Après avoir appuyé sur le levier **[8.3]**, l'adaptateur d'aspiration s'enlève à nouveau. Si vous travaillez sans aspiration, la scie utilise le dispositif de décharge intégré. Un jet d'air dirigé de façon adéquate fait en sorte que les copeaux ne recouvrent pas la ligne de découpe.

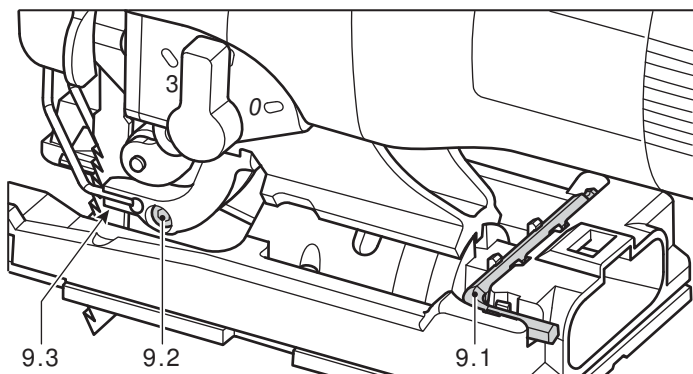


Réglage du guidage de lame

Les scies sauteuses pendulaires possèdent un système de guidage en métal dur **[9.3]** placé juste au-dessus de la pièce à scier afin d'améliorer le guidage de la lame.

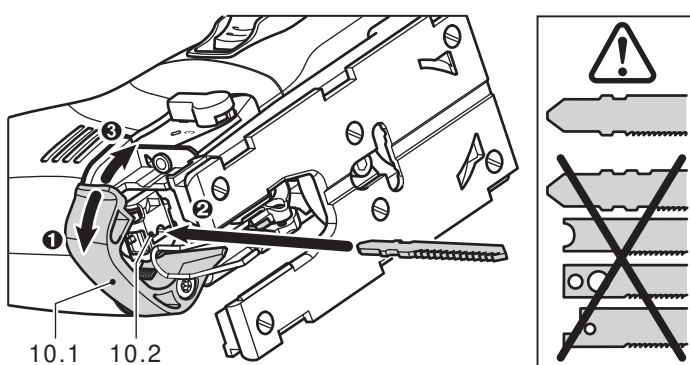
- Éteignez et débranchez l'outil.
- Utiliser la clé Allen **[9.2]** pour serrer la vis **[9.1]** jusqu'à ce que les mâchoires touchent presque la lame.

⚠ MISE EN GARDE La lame doit pouvoir se déplacer sans problème !



Remplacement de la lame

- Éteignez et débranchez l'outil.
- Ouvrez le levier de serrage **[10.1]** jusqu'à la butée.
- Retirez la lame.
- Enfoncez la nouvelle lame dans le logement jusqu'à la butée **[10.2]**.
- Refermez le levier de serrage.



Utilisation de l'outil

⚠ AVERTISSEMENT Vérifiez que la lame est bien fixée avant de mettre la scie en marche.

⚠ AVERTISSEMENT Il faut toujours approcher la scie de la pièce à scier avec la lame en marche.

Traitement des métaux

⚠AVERTISSEMENT Lors du traitement des métaux, il est indispensable de respecter les mesures suivantes afin de travailler en toute sécurité :

- Un interrupteur de sécurité doit être monté en amont.
- La machine doit être raccordée à un capteur de poussière adéquat.
- La machine doit régulièrement être nettoyée pour éliminer les dépôts de poussières accumulées dans le corps du moteur.
- Portez des lunettes de protection.

Sans guidage selon le tracé

De par sa forme triangulaire, le pare-éclats **[11.1]** indique la ligne de coupe de la lame. Il facilite ainsi le sciage selon le tracé.

Plongée sans perçage préalable

Pour les coupes en plongée dans les matériaux à base de bois, la table de sciage doit se trouver en position avant (position de base).

Placez la scie sur le rebord avant de la table. Plongez la scie dans la pièce à régime maximum, en position de mouvement pendulaire n° 3 [figure 12].

Accessoires, outils

⚠AVERTISSEMENT Pour des raisons de sécurité, il faut utiliser exclusivement des accessoires et outils d'origine Festool!

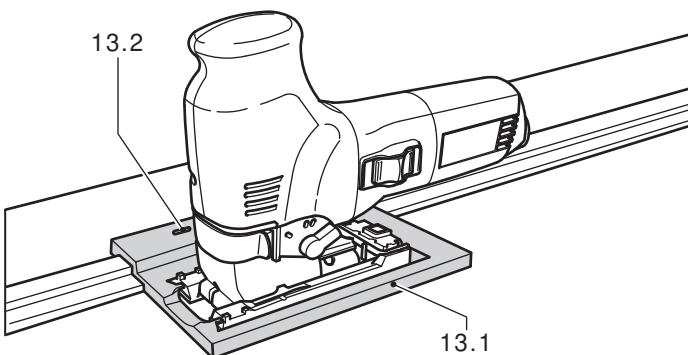
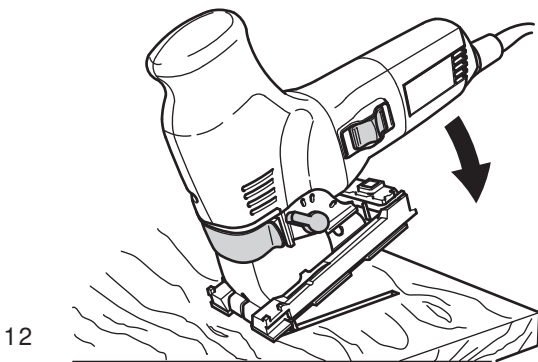
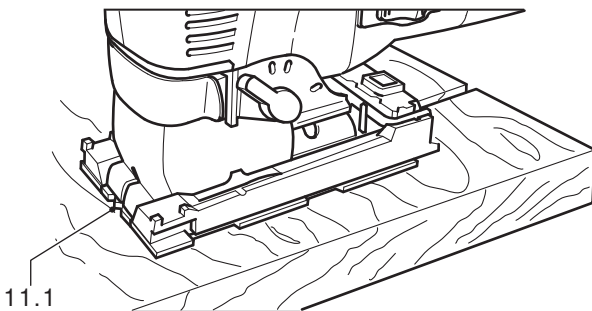
Festool vous propose toute une gamme de lames adaptées spécialement à votre scie sauteuse pour toutes les applications.

Les références des accessoires et outils figurent dans le catalogue Festool ou sur Internet sous www.festoolusa.com.

Système de guidage Festool FS

L'utilisation du système de guidage Festool FS vous facilite la réalisation de coupes droites et précises, notamment pour des épaisseurs de matériau allant jusqu'à 20 mm (3/4"). Pour ce faire, insérez la scie sauteuse dans la butée de guidage **[13.1]** (490031) et faites avancer le rail de guidage le long de la butée.

Deux mâchoires de guidage réglables **[13.2]** se trouvent dans la butée de guidage pour assurer un réglage parfait.

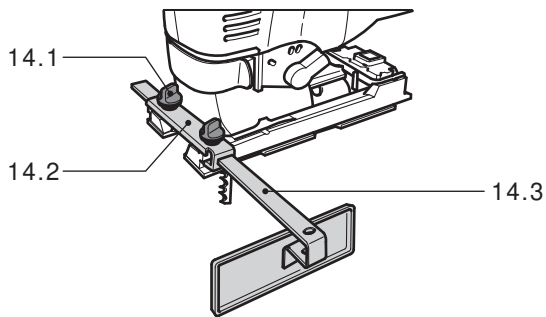


Butée parallèle

La butée parallèle (486719) permet de guider la scie sauteuse parallèlement au bord de la pièce.

Elle peut être montée des deux côtés de la table de sciage :

- Éteignez et débranchez l'outil.
- Enfilez l'arceau de serrage [14.2] par l'avant sur la table de sciage.
- Insérez la butée parallèle [14.3] par le côté à travers l'arceau de serrage jusqu'à la position souhaitée.
- Serrez le bouton tournant [14.1].

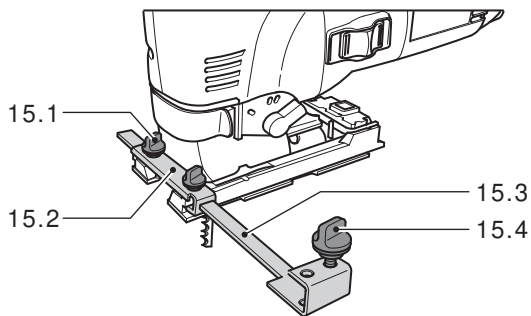


Outil de coupe circulaire

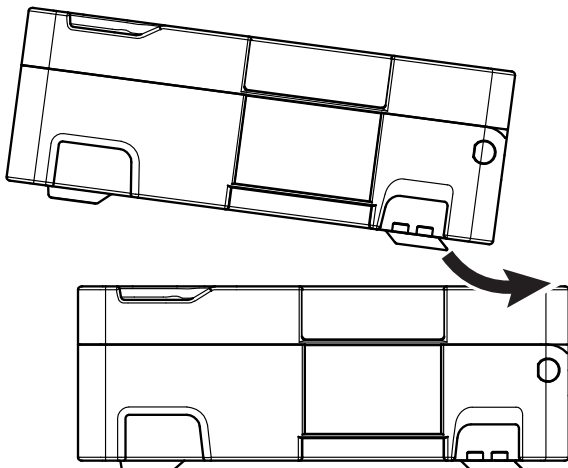
L'outil de coupe circulaire (490032) permet de faire des coupes circulaires d'un diamètre allant de 120 mm à 720 mm (4.7" - 28.3").

Il peut être monté des deux côtés de la table de sciage :

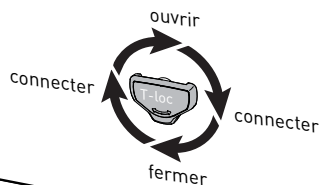
- Éteignez et débranchez l'outil.
- Enfilez l'arceau de serrage [15.2] par l'avant sur la table de sciage.
- Insérez l'outil de coupe circulaire [15.3] par le côté à travers l'arceau de serrage jusqu'à la position souhaitée.
- Serrez le bouton tournant [15.1].
- Enfichez la pointe de compas [15.4] dans l'ouverture arrière de l'outil de coupe circulaire.



16



A



Systainer

De nombreux produits Festool sont fournis dans une caisse exclusive, appelée "Systainer". Celle-ci permet de protéger et de ranger des outils et des appareils complémentaires. Les Systainer sont empilables et peuvent être solidarisés. En outre, il se fixent sur les aspirateurs CT Festool.

Pour ouvrir le Systainer:

- Tournez le T-loc [16.1] à la position

Pour fermer le Systainer:

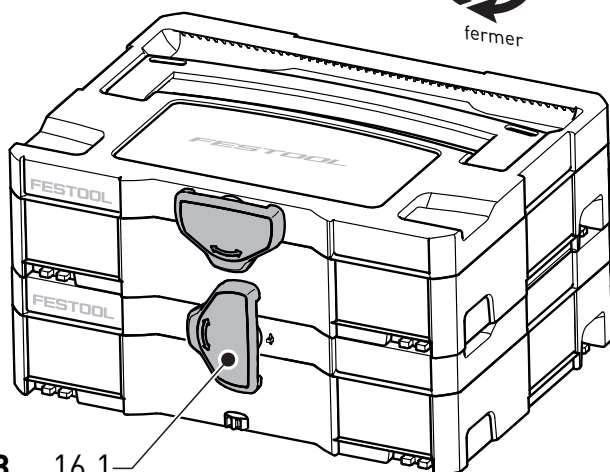
- Tournez le T-loc [16.1] à la position

Pour connecter deux Systainers:

- Placez un Systainer au dessus de l'autre (Fig. 16 A)

- Tournez le T-loc [16.1] à la position ou (Fig. 16 B).

- Les Systainers sont combinés.



B 16.1

① Un Systainer de la nouvelle génération peut être attaché au dessus d'un Systainer de l'ancienne génération par les quatre loquets de l'ancien Systainer.

Entretien et maintenance

⚠AVERTISSEMENT Tout travail d'entretien ou de réparation nécessitant une ouverture du moteur ne doit être effectué que par le personnel d'un atelier autorisé du service après-vente. La maintenance ou la réparation de la machine par des personnes non autorisées peut entraîner un branchement incorrect des câbles électriques ou autres composants, et provoquer des accidents avec blessures graves.

⚠AVERTISSEMENT Avant toute intervention sur la machine, il faut retirer la fiche de la prise de courant !

La machine et ses orifices de refroidissement doivent toujours rester propres.

Garantie

Festool offre une garantie restreinte de trois ans, une des plus longues de l'industrie. La présente garantie est valide à la condition préalable que l'outil soit utilisé et exploité en conformité avec les consignes d'utilisation de Festool. Festool garantit que l'outil spécifié sera exempt de vices de matériel ou de malfaçon durant une période de 3 ans à compter de la date d'achat.

Conditions de la garantie 1 + 2

Tous les clients reçoivent une extension de garantie restreinte gratuite (1 an + 2 ans = 3 ans) pour tous les outils électriques achetés auprès d'un détaillant agréé. Festool est responsable de tous les frais d'expédition durant la première année de la garantie. Durant la deuxième et la troisième année de la garantie, le client a la responsabilité d'expédier l'outil à Festool. Festool paiera les frais d'expédition de retour au client en utilisant le service terrestre d'UPS. Tout service de garantie est valide 3 ans à compter de la date d'achat indiquée sur votre reçu ou votre facture. La preuve d'achat peut être exigée.

Sont exclus de la couverture au titre de la présente garantie : usure normale, dommage causé par un usage impropre, un usage abusif ou de la négligence ; dommage causé par toute autre chose qu'un vice de matériel ou de malfaçon. La présente garantie ne s'applique pas aux articles accessoires tels que lames de scie plongeante, forets de perceuse, forets de défonceuse, lames de scie sauteuse, bandes abrasives et meules. L'utilisation d'un outil à une tension ou fréquence différente de la puissance nominale de l'outil annule la garantie. L'annulation de garantie inclut l'utilisation de l'outil avec un transformateur. Festool ne tolère ni n'approuve aucune utilisation

d'accessoires ou de consommables d'ingénierie, de conception et de fabrication autres que Festool sur des produits Festool. Toute utilisation de produits autres que Festool peut affecter le rendement de l'outil et annuler la garantie. Festool ne peut être tenu responsable de tous dommages ou pertes subis, l'utilisateur assumant tous les risques et l'entière responsabilité liés à l'utilisation de produits qui ne sont pas d'origine Festool. Sont également exclues toutes les « pièces d'usure » telles que les balais de carbone, les lamelles de l'outillage pneumatique, les manchons et joints de caoutchouc, les disques abrasifs et les patins de ponçage, ainsi que les vêtements Festool (chapeaux et t-shirts).

Les obligations de Festool aux termes de la présente garantie se limitent, à sa seule discrétion, à la réparation ou au remplacement ou au remboursement du prix d'achat de tout outil électrique Festool portable jugé comme faisant montre d'un vice de matériel ou de malfaçon durant la période de la garantie. **FESTOOL NE PEUT ÊTRE TENU RESPONSABLE DE QUELQUE DOMMAGE CONSÉCUTIF, ACCESSOIRE OU PARTICULIER INDÉPENDAMMENT DU PRINCIPE DE DROIT SUR LEQUEL SE FONDE LA DEMANDE. TOUTES LES GARANTIES IMPLICITES AUX TERMES DE LA LOI ÉTATIQUE, Y COMPRIS LES GARANTIES IMPLICITES DE QUALITÉ MARCHANDE ET D'ADAPTATION À UN USAGE PARTICULIER, SONT PAR LES PRÉSENTES RESTREINTES À UNE DURÉE DE TROIS ANS.**

Certains états américains et certaines provinces canadiennes ne permettent pas de restrictions quant à la durée d'une garantie implicite, de sorte que la restriction qui précède peut ne pas s'appliquer à vous. La présente garantie vous confère des droits légaux spécifiques, et il se peut que vous ayez d'autres droits variant d'un état à l'autre aux É.-U. et d'une province à l'autre au Canada.

En dehors de toute garantie imposée par une loi d'état ou une loi provinciale telle que restreinte ci-dessus, la garantie restreinte qui précède est exclusive et aux lieu et place de toute autre garantie, engagement formel, entente et autre obligation similaire de Festool. Festool ne fait aucune autre garantie, expresse ou implicite, à propos des outils électriques. La présente garantie est valide uniquement pour les outils achetés aux É.-U. et au Canada. Les régimes de garantie d'autres pays peuvent varier pour les cas de service obtenus en dehors des É.-U. et du Canada. Certains pays peuvent exclure de la garantie les produits achetés en dehors de leur territoire. Festool se réserve le droit de refuser la réparation de tout outil ne faisant pas partie de la gamme de produits des É.-U. et du Canada. Aucun agent, représentant, distributeur, concessionnaire ou employé de Festool n'a l'autorité d'augmenter ou d'autrement modifier les obligations ou les restrictions de la présente garantie.

Contenido

Normas de seguridad	22
Indicaciones de seguridad generales	22
Normas de seguridad específicas para sierras alternativas	24
Datos técnicos	24
Símbolos	24
Descripción del funcionamiento	25
Use para los propósitos intencionados	25
Conexión eléctrica y operación	25
Cable de extensión	25
Ajustes en la máquina	26
Regulación electrónica	26
Carrera pendular	26
Ajustes de la mesa de serrar	27
Instalación de la protección contra astillas ..	27
Instalación de la protección contra la proyección de virutas	28
Extractor de virutas	28
Ajuste de la guía de la cuchilla de la sierra ..	28
Cambio de la cuchilla de la sierra	29
Trabajo con la herramienta	29
Trabajo de metal	29
Conducción libre siguiendo la marca	29
Serrado con penetración vertical sin perforación previa	29
Accesorios y herramientas	30
Sistema de guía FS de Festool	30
Guía paralela	30
Cortador circular	30
Systemer	31
Mantenimiento y cuidado	31
Garantía	31

Normas de seguridad

Indicaciones de seguridad generales



¡ATENCIÓN! Lea íntegramente las instrucciones e indicaciones de seguridad. El incumplimiento de dichas instrucciones e indicaciones puede dar lugar a descargas eléctricas, incendios o lesiones graves.

Guardar todas las advertencias de peligro e instrucciones para futuras consultas.

El término herramienta eléctrica empleado en las siguientes advertencias de peligro se refiere a herramientas eléctricas de conexión a la red (con

cable de red) y a herramientas eléctricas accionadas por acumulador (o sea, sin cable de red).

1 PUESTO DE TRABAJO

- Mantenga limpio y bien iluminado su puesto de trabajo.** El desorden y una iluminación deficiente en las áreas de trabajo pueden provocar accidentes.
- No utilice la herramienta eléctrica en un entorno con peligro de explosión, en el que se encuentren combustibles líquidos, gases o material en polvo.** Las herramientas eléctricas producen chispas que pueden llegar a inflamar los materiales en polvo o vapores.
- Mantenga alejados a los niños y otras personas de su puesto de trabajo al emplear la herramienta eléctrica.** Una distracción le puede hacer perder el control sobre el aparato.

2 SEGURIDAD ELÉCTRICA

- El enchufe del aparato debe corresponder a la toma de corriente utilizada. No es admisible modificar el enchufe en forma alguna. No emplear adaptadores en aparatos dotados con una toma de tierra.** Los enchufes sin modificar adecuados a las respectivas tomas de corriente reducen el riesgo de una descarga eléctrica.
- Evite que su cuerpo toque partes conectadas a tierra como tuberías, radiadores, cocinas y refrigeradores.** El riesgo a quedar expuesto a una sacudida eléctrica es mayor si su cuerpo tiene contacto con tierra.
- No exponga las herramientas eléctricas a la lluvia y evite que penetren líquidos en su interior.** Existe el peligro de recibir una descarga eléctrica si penetran ciertos líquidos en la herramienta eléctrica.
- No utilice el cable de red para transportar o colgar el aparato, ni tire de él para sacar el enchufe de la toma de corriente. Mantenga el cable de red alejado del calor, aceite, esquinas cortantes o piezas móviles.** Los cables de red dañados o enredados pueden provocar una descarga eléctrica.
- Al trabajar con la herramienta eléctrica en la intemperie utilice solamente cables de prolongación homologados para su uso en exteriores.** La utilización de un cable de prolongación adecuado para su uso en exteriores reduce el riesgo de una descarga eléctrica.
- Si fuese imprescindible utilizar la herramienta eléctrica en un entorno húmedo, es necesario conectarla a través de un fusible diferencial.**

La aplicación de un fusible diferencial reduce el riesgo a exponerse a una descarga eléctrica.

3 SEGURIDAD DE PERSONAS

- a) **Esté atento a lo que hace y emplee la herramienta eléctrica con prudencia. No utilice la herramienta eléctrica si estuviese cansado, ni tampoco después de haber consumido alcohol, drogas o medicamentos.** El no estar atento durante el uso de una herramienta eléctrica puede provocarle serias lesiones.
- b) **Utilice un equipo de protección y en todo caso unas gafas de protección.** El riesgo a lesionarse se reduce considerablemente si, dependiendo del tipo y la aplicación de la herramienta eléctrica empleada, se utiliza un equipo de protección adecuado como una mascarilla antipolvo, zapatos de seguridad con suela antideslizante, casco, o protectores auditivos.
- c) **Evite una puesta en marcha fortuita del aparato. Cerciorarse de que el aparato esté desconectado antes conectarlo a la toma de corriente.** Si transporta el aparato sujetándolo por el interruptor de conexión/desconexión, o si introduce el enchufe en la toma de corriente con el aparato conectado, ello puede dar lugar a un accidente.
- d) **Retire las herramientas de ajuste o llaves fijas antes de conectar la herramienta eléctrica.** Una herramienta o llave colocada en una pieza rotante puede producir lesiones al ponerse a funcionar.
- e) **Sea precavido. Trabaje sobre una base firme y mantenga el equilibrio en todo momento.** Ello le permitirá controlar mejor la herramienta eléctrica en caso de presentarse una situación inesperada.
- f) **Utilice ropa adecuada. No utilice ropa ancha ni objetos de joyería o bisutería. Mantenga el pelo y la ropa alejada de las piezas en movimiento.** La ropa suelta o el pelo largo pueden quedar atrapados por piezas en movimiento.
- g) **Siempre que sea posible utilizar unos equipos de aspiración o captación de polvo, asegúrese que éstos estén montados y que sean utilizados correctamente.** El empleo de estos equipos reduce los riesgos derivados del polvo.
- h) **No debe jamás confiarse por el uso frecuente de las máquinas e ignorar los principios de seguridad de la herramienta.** Un manejo imprudente puede ocasionar lesiones graves en fracciones de segundo.

4 TRATO Y USO CUIDADOSO DE HERRAMIENTAS ELÉCTRICAS

- a) **No sobrecargue el aparato. Use la herramienta prevista para el trabajo a realizar.** Con la herramienta adecuada podrá trabajar mejor y más seguro dentro del margen de potencia indicado.
 - b) **No utilice herramientas con un interruptor defectuoso.** Las herramientas que no se puedan conectar o desconectar son peligrosas y deben hacerse reparar.
 - c) **Saque el enchufe de la red antes de realizar un ajuste en el aparato, cambiar de accesorio o al guardar el aparato.** Esta medida preventiva reduce el riesgo a conectar accidentalmente el aparato.
 - d) **Guarde las herramientas fuera del alcance de los niños y de las personas que no estén familiarizadas con su uso.** Las herramientas utilizadas por personas inexpertas son peligrosas.
 - e) **Cuide sus aparatos con esmero. Controle si funcionan correctamente, sin atascarse, las partes móviles del aparato, y si existen partes rotas o deterioradas que pudieran afectar al funcionamiento de la herramienta. Si la herramienta eléctrica estuviese defectuosa haga repararla antes de volver a utilizarla.** Muchos de los accidentes se deben a aparatos con un mantenimiento deficiente.
 - f) **Mantenga los útiles limpios y afilados.** Los útiles mantenidos correctamente se dejan guiar y controlar mejor.
 - g) **Utilice herramientas eléctricas, accesorios, útiles, etc. de acuerdo a estas instrucciones y en la manera indicada específicamente para este aparato. Considere en ello las condiciones de trabajo y la tarea a realizar.** El uso de herramientas eléctricas para trabajos diferentes de aquellos para los que han sido concebidas puede resultar peligroso.
 - h) **Mantenga las empuñaduras secas, limpias y libres de aceite y grasa.** Las empuñaduras resbaladizas no permiten una manipulación y un control seguros de la herramienta eléctrica en situaciones inesperadas.
- ### 5 SERVICIO
- a) **Únicamente haga reparar su herramienta eléctrica por un profesional, empleando exclusivamente piezas de repuesto originales.** Solamente así se mantiene la seguridad de la herramienta eléctrica.

Normas de seguridad específicas para sierras alternativas

a) Sujete la herramienta por la superficie aislada de agarre cuando realice una operación donde el accesorio de corte pudiera contactar alambres ocultos o su propio cable. El contacto con un cable con corriente hará traspasar la corriente a las partes metálicas de la herramienta resultando en una descarga eléctrica para el usuario.

b) Fije y asegure la pieza de trabajo a una base estable por medio de mordazas o un dispositivo similar. Si sostiene la pieza de trabajo únicamente con la mano o la apoya contra el cuerpo, aumentará su inestabilidad, así como el riesgo de perder el control sobre la pieza.

⚠ ADVERTENCIA PARA REDUCIR EL RIESGO DE LESIÓN, EL USUARIO DEBE LEER EL MANUAL DE INSTRUCCIÓN.

⚠ ADVERTENCIA Algunos polvos creados por lijadoras motorizadas, aserraderos, trituradores, perforadoras y otras actividades de construcción contienen sustancias químicas que se sabe (en el Estado de California) causan cáncer, defectos de nacimiento u otros daños al sistema reproductivo. Algunos ejemplos de estas sustancias químicas son:

- Plomo de las pinturas con base de plomo
- Sílice cristalino de los ladrillos y cemento y otros productos de mampostería, y
- Arsénico y cromo de madera tratada con sustancias químicas

El riesgo de exposición a estas sustancias varía, dependiendo de cuantas veces se hace este tipo de trabajo.



Para reducir el contacto con estas sustancias químicas: trabaje en un área con buena ventilación y trabaje con equipo de seguridad aprobado, como mascarillas para el polvo diseñadas específicamente para filtrar partículas microscópicas.

Datos técnicos

Potencia absorbida:	720 W
Velocidad sin carga:	1 000 - 2 900 cpm
Longitud de carrera:	26 mm (1.02 in.)
Carrera pendular:	3 graduaciones
Reajuste oblicuo:	45° hacia ambos lados
Profundidad de corte (depende de la hoja de sierra):	
• mandera:	120 mm (4.7 in.)
• aluminio:	20 mm (0.8 in.)
• acero:	10 mm (0.4 in.)
Peso:	2.4 kg (5.2 lbs)
Seguridad:	▣ / II

Símbolos

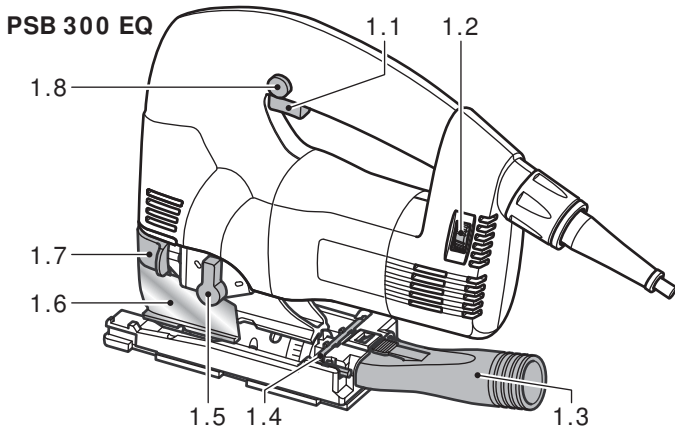


Aviso ante un peligro general



¡Leer las instrucciones e indicaciones!

V	voltios
A	amperios
Hz	hertzios
W	vatios
~	tensión alterna
n_0	revoluciones sin carga
▣	Clase II Construcción
cpm	carreras por minuto



Descripción del funcionamiento

- [1.1] Interruptor de activación/desactivación
- [1.2] Regulador del número de revoluciones
- [1.3] Boquilla de aspiración
- [1.4] Llave hexagonal macho
- [1.5] Interruptor de carrera pendular
- [1.6] Protección contra la proyección de virutas
- [1.7] Palanca de sujeción
- [1.8] Botón de bloqueo (solamente PSB 300 EQ)

Use para los propósitos intencionados

Las sierras caladoras están diseñadas para serrar madera y materiales parecidos a la madera. Los plásticos, aceros, aluminio, metales no ferrosos y losetas de cerámica también se pueden cortar usando las sierras recomendadas en los documentos de ventas de Festool para materiales específicos.

⚠ ADVERTENCIA El usuario será responsable por daños y accidentes que resulten del uso incorrecto.

Conexión eléctrica y operación

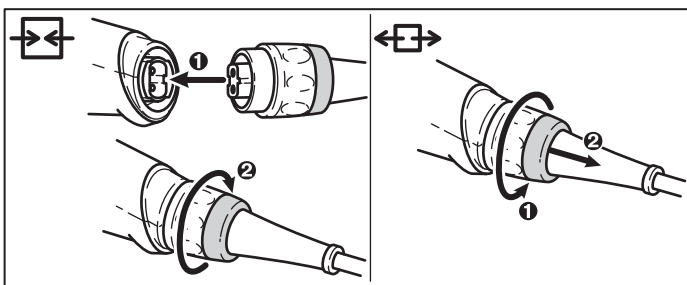
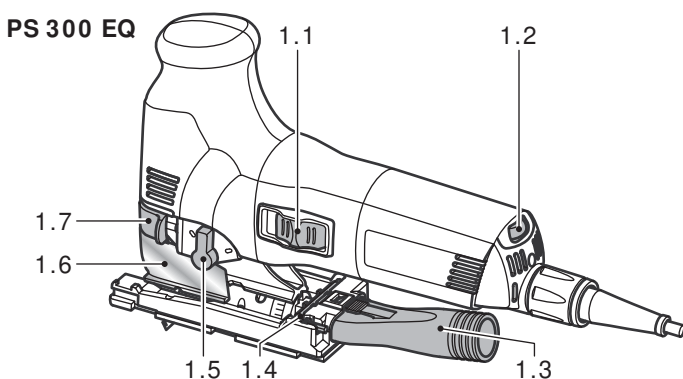
La tensión de red deberá coincidir con las indicaciones de tensión expuestas en la placa de identificación de clasificación.

Vea la figura siguiente para enchufar y desenchufar el cable de conexión.

⚠ ADVERTENCIA Apague la máquina siempre antes de conectar o desconectar el cable de conexión a la herramienta o al tomacorriente.

La **PS 300 EQ** está provista de un interruptor deslizante [1.1] para encender/apagar (I = ON, 0 = OFF) la herramienta.

La **PSB 300 EQ** está provista de un interruptor de presión [1.1] para encender y apagar la herramienta. Para el funcionamiento permanente se puede enclavar el interruptor con un botón de bloqueo [1.8]. Al volver a pulsar dicho interruptor se desbloquea el enclavamiento.



Cable de extensión

Cuando se necesite un cable de extensión, éste tiene que disponer de suficiente calibre a fin de evitar una caída excesiva de tensión o sobrecalentamiento. Una caída excesiva de la tensión reduce la potencia y puede destruir el motor. En la tabla de

abajo indica el diámetro correcto del cable para la PS/PSB 300 EQ, a saber, en función de la longitud de cable.

Longitud total del cable (pies)	25	50	100	150
Diámetro de cable (AWG)	18	16	12	10

Se deben emplear únicamente cables de extensión listados por U.L. y CSA. No emplee nunca dos cables de extensión conectados el uno con el otro. En vez de ello, emplee uno con el largo que se requiere.

Observación: Mientras más bajo sea el número A.W.G., tanto mayor es el diámetro del cable.

Ajustes en la máquina

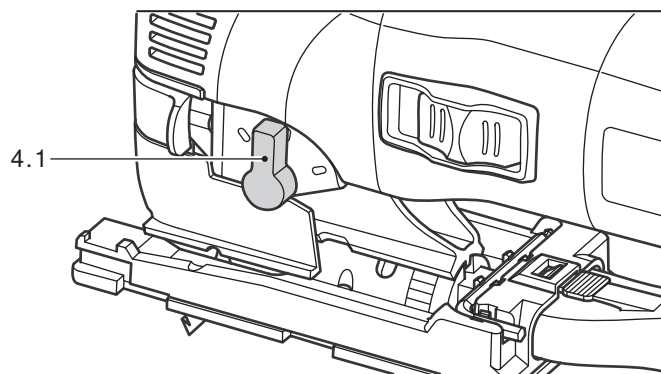
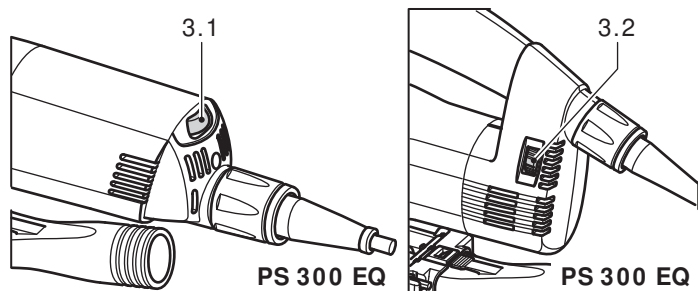
ADVERTENCIA ¡Antes de hacer ajuste a la máquina se tiene que desenchufar antes del toma de corriente!

Regulación electrónica

La PS 300 EQ y la PSB 300 EQ disponen de una electrónica de regulación que facilita un reajuste con graduación continua de la cantidad de carreras entre 1000 y 2900 carreras por minuto. La cantidad deseada de carreras se regula con el control de velocidad **[3.1, 3.2]**:

Cantidad recomendada de carreras (ajuste de la control de velocidad):

Maderas blandas y duras, tableros contrachapados con núcleo de madera:	6
Madera contrachapada, madera aglomerada:	6
Tablero de fibra de madera:	4-6
Plásticos:	3-6
Cerámica:	3-5
Metales no férreos:	3-5
Acero:	2-4



Carrera pendular

Para poder trabajar materiales diferentes con un avance óptimo, las sierras de calado disponen de una carrera pendular reajutable. Con el interruptor de carrera pendular **[4.1]** se selecciona la posición deseada:

Posición 0 = carrera pendular desactivada,
Posición 3 = carrera pendular máxima.

Ajustes recomendados de carrera pendular:

Maderas blandas y duras:	1-3
Madera contrachapada con núcleo de madera, madera contrachapada:	1-2
Madera aglomerada, tablero de fibra de madera:	1-3
Plásticos:	1-2
Cerámica:	0
Aluminio, metales no férreos:	0-2
Acero:	0-1

Ajustes de la mesa de serrar

La mesa de serrar se puede oscilar hacia ambos lados para realizar cortes oblicuos hasta de 45°:

- Apague y desenchufe la herramienta
- Quite la protección contra virutas y la protección contra astillas.
- Afloje el tornillo de apretado **[5.1]** con una llave hexagonal macho.
- Desplace la mesa de serrar aproximadamente unos 5 mm (1/5") hacia adelante.
- Ajuste el ángulo deseado conforme a la escala **[5.4]**.
- Apriete el tornillo de apretado **[5.1]**.

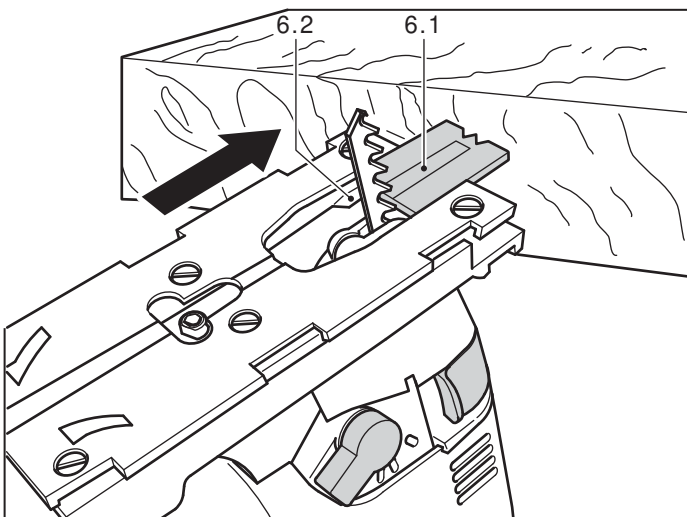
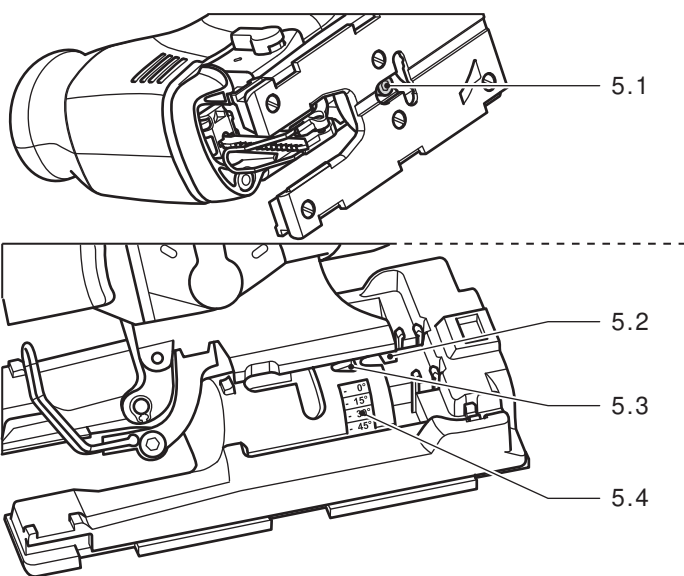
La mesa de serrar se puede desplazar hacia atrás para serrar cerca del borde.

- Apague y desenchufe la herramienta
- Quite la protección contra virutas y contra astillas.
- Afloje el tornillo de apretado **[5.1]** con una llave hexagonal macho.
- Desplace la mesa de serrar hasta su posición trasera de manera que el mandril de centrado **[5.2]** quepa en el orificio **[5.3]**.
- Apriete el tornillo de apretado **[5.1]**.

Instalación de la protección contra astillas

La protección contra astillas facilita el corte limpio y sin desgarramientos de los bordes, incluso también del lado de salida de la cuchilla de sierra.

- Con la herramienta apagada y desenchufada, introduzca la protección contra astillas **[6.1]** en la guía **[6.2]** hasta llegar a la cuchilla de la sierra.
- Encienda la sierra de calado y, con la máquina en marcha, introduzca la protección contra astillas y corte en una superficie plana y serrar hasta que



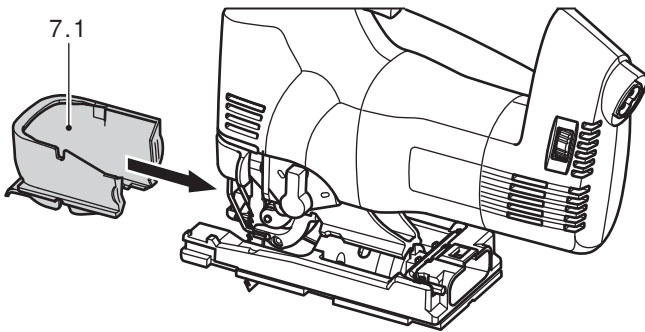
la protección esté alineada con el canto delantero de la mesa para serrar.

Observación: Para que la protección contra astillas funcione de forma fiable deberá estar bien ajustada y cerca de la cuchilla de la sierra en ambos lados. Por eso y a fin de garantizar cortes libres de desgarramientos, utilice una nueva protección contra astillas cada vez que cambie la cuchilla de la sierra.

Instalación de la protección contra la proyección de virutas

La protección contra la proyección de virutas impide que las virutas salgan lanzadas y mejora la eficacia de aspiración de virutas.

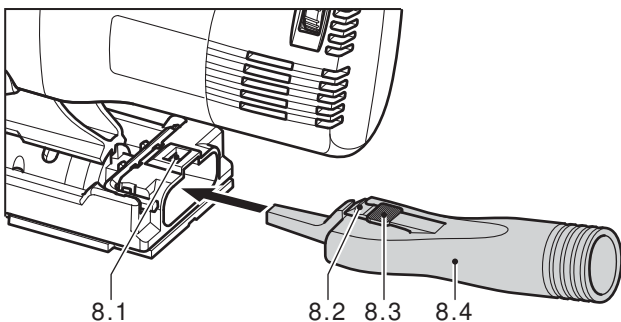
- Apague y desenchufe la herramienta.
- Coloque la protección contra la proyección de virutas **[7.1]** entre la mesa de serrar y la palanca de sujeción y desplácela hacia atrás presionando ligeramente hasta que se enclave.



Extractor de virutas

La sierra caladora se puede conectar a un extractor de polvo (diámetro de tubo flexible 27 mm / 1.06") utilizando el adaptador para el extractor **[8.4]**.

- Apague y desenchufe la herramienta.
- Introduzca el adaptador de extracción en el orificio trasero de la mesa de serrar de forma que el gancho **[8.2]** se enclave en la escotadura **[8.1]**.
- Oprima la palanca **[8.3]** para quitar el adaptador del extractor. Si se trabaja con extracción entrará en acción el dispositivo integrado de soplado. El chorro de aire dirigido se encarga de que la viruta no cubra la línea de marcado.

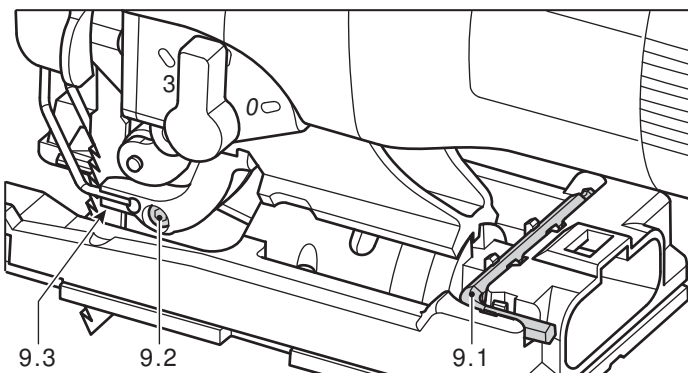


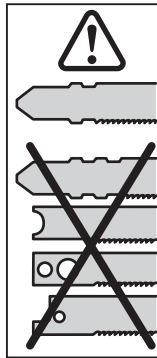
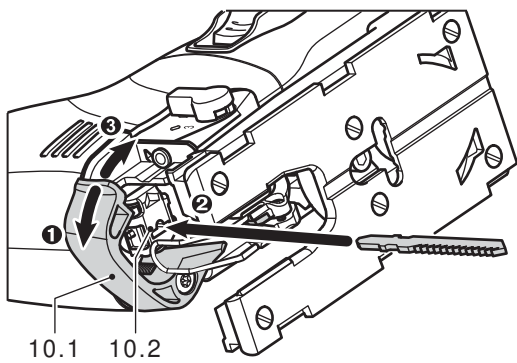
Ajuste de la guía de la cuchilla de la sierra

Las sierras de calado disponen de una guía adicional de carburo **[9.3]** justo encima de la pieza de trabajo para guiar la cuchilla mejor.

- Apague y desenchufe la herramienta.
- Con la llave hexagonal macho **[9.2]** se apretará el tornillo **[9.1]** hasta que las mordazas estén casi tocando la cuchilla de la sierra.

⚠PRECAUCION ¡Se debe poder mover un poco la cuchilla de la sierra todavía!





Cambio de la cuchilla de la sierra

- Apague y desenchufe la herramienta.
- Abra la palanca de sujeción **[10.1]** hasta el tope.
- Saque la cuchilla vieja.
- Introduzca la cuchilla nueva de la sierra en el sujetador de la cuchilla de sierra **[10.2]**.
- Cierre la palanca de sujeción.

Trabajo con la herramienta

⚠ADVERTENCIA Antes de la operarla verifique el asiento correcto de la cuchilla de de sierra y que esté fija.

⚠ADVERTENCIA La sierra de calado siempre debe acercarse y aplicarse a la pieza de trabajo con la cuchilla de la sierra en marcha.

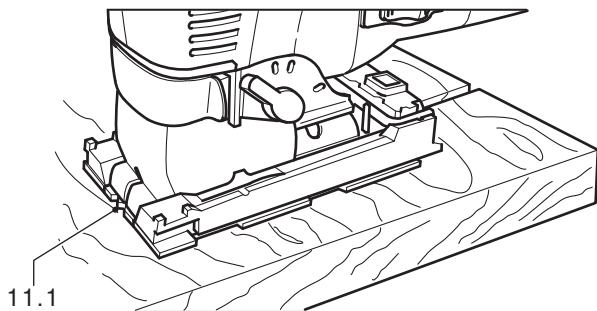
Trabajo de metal

⚠ADVERTENCIA Por motivos de seguridad deberán tomarse las medidas siguientes al cortar metal:

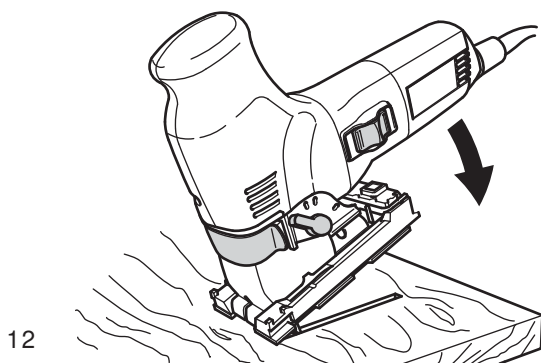
- conecte un dispositivo operado con corriente residual en serie antes de la herramienta,
- conecte la herramienta a un extractor de polvos adecuado,
- limpie la máquina periódicamente para eliminar las aglomeraciones de polvo en el recinto del motor.
- Use gafas de protección.

Conducción libre siguiendo la marca

Gracias a la forma triangular de la protección contra astillas **[11.1]** se puede ver la línea de corte, facilitando así, aserrar siguiendo la línea marcada.



11.1



12

Serrado con penetración vertical sin perforación previa

Para realizar cortes de penetración vertical en materiales de madera, la mesa de serrar deberá encontrarse en su posición más avanzada (posición básica).

Coloque la sierra en el canto anterior de la mesa. Ajuste a la cantidad máxima de carreras y la posición de carrera pendular 3 y empiece a cortar verticalmente la pieza [ilustración 12].

Accesorios y herramientas

⚠ADVERTENCIA ¡Por razones de seguridad, solamente emplee accesorios y herramientas originales de Festool!

A fin de poder cortar materiales diferentes de forma limpia y rápida, Festool le ofrece para todas las aplicaciones cuchillas de sierra adaptadas especialmente a su sierra de calado.

Los números de pedido para los respectivos accesorios y herramientas se encuentran en su catálogo Festool o en la dirección de Internet

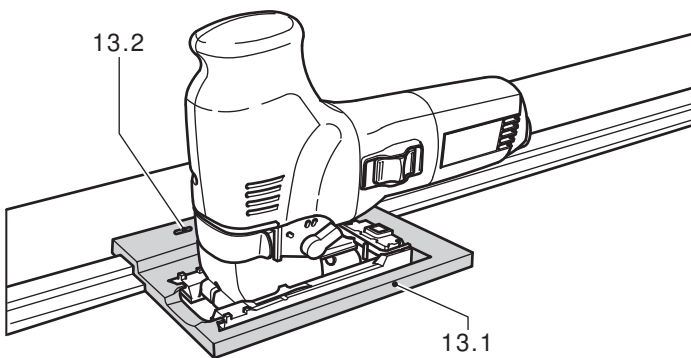
www.festoolusa.com.

Sistema de guía FS de Festool

La utilización del sistema de guía FS de Festool facilita la realización de cortes rectos y exactos, especialmente en grosores de hasta 20 mm (3/4").

Para ello la sierra de calado se coloca en un tope de guía **[13.1]** (490031) y se guía a lo largo del riel de guía.

El tope de guía tiene dos toques de límite ajustables **[13.2]** para un ajuste libre.

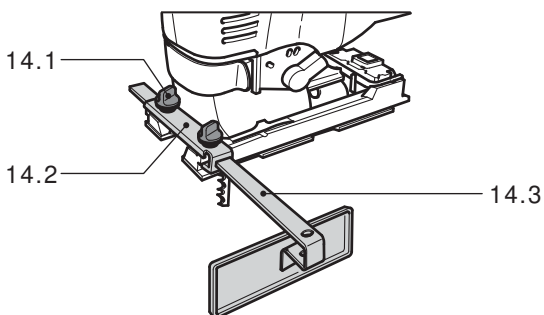


Guía paralela

Use la guía paralela (486719) para conducir la sierra de calado paralelamente al canto de la pieza de trabajo.

La guía paralela se puede montar en ambos lados de la mesa de serrar:

- Apague y desenchufe la herramienta.
- Deslice la abrazadera de sujeción **[14.2]** en la mesa de serrar desde el frente.
- Inserte el tope paralelo **[14.3]** a través de la abrazadera de sujeción desde el costado hasta la posición deseada.
- Apriete el botón giratorio **[14.1]**.

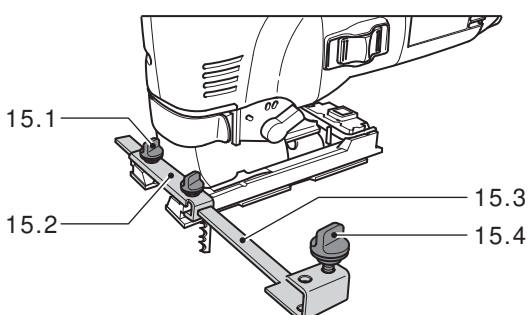


Cortador circular

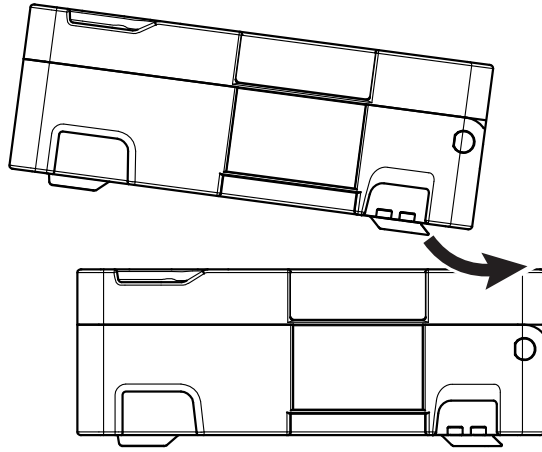
El cortador circular (490032) puede realizar cortes circulares con un diámetro de entre 120 mm y 720 mm (4.7" - 28.3").

La cortadora circular se puede instalar en ambos lados de la mesa de:

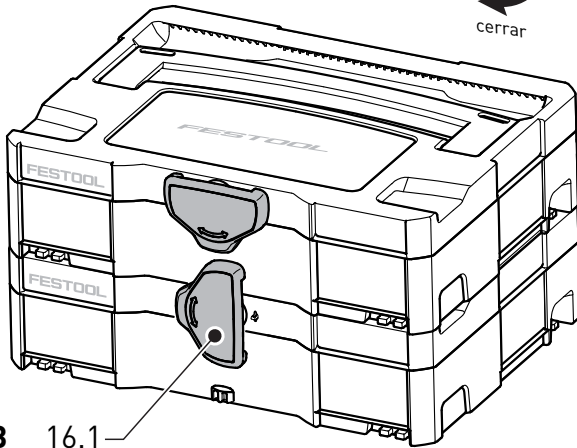
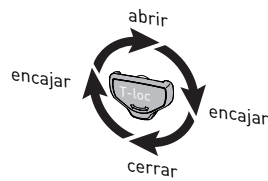
- Apague y desenchufe la herramienta.
- Deslice la abrazadera de sujeción **[15.2]** sobre la mesa de serrar desde el frente.
- Inserte el cortador circular **[15.3]** a través de la abrazadera de sujeción desde el costado hasta la posición deseada.



16



A



B

16.1

- Apretar el botón giratorio [15.1].
- Introduzca la punta del compás [15.4] en la perforación trasera del cortador circular.

Systainer

Muchos de los productos Festool se entregan en un embalaje exclusivo denominado "Systainer" que sirve de protección a la herramienta y sus complementos, además de facilitar su almacenamiento. Los Systainer pueden apilarse y encajan unos con otros. Además se adaptan sin problema a cualquier aparato de aspiración CT de Festool.



Para abrir el Systainer:

- Gire el T-loc [16.1] a la posición .

Para cerrar el Systainer:

- Gire el T-loc [16.1] a la posición .

Para encajar dos Systainer:

- Ponga el Systainer sobre un otro (Fig. 16 A).
- Gire el T-loc [16.1] a la posición  o  (Fig. 16 B).
- Los Systainers están encajados y cerrados.
- ⓘ Un Systainer de la nueva generación es encajable encima de un Systainer de la generación anterior con los cuatro enganches del Systainer anterior

Mantenimiento y cuidado

⚠ ADVERTENCIA Todos los trabajos de mantenimiento y reparación, para los que se tiene que abrir el recinto del motor, sólo deben ser llevados a cabo por un taller de servicio autorizado. El mantenimiento o reparación de la máquina por personas no autorizadas puede ser la causa de una conexión errónea de los cables conductores de corriente eléctrica o de otros componentes, lo cual puede ser la causa de accidentes lesiones graves.

⚠ ADVERTENCIA ¡Siempre desenchufe del tomacorriente antes de realizar trabajos en la máquina! Mantenga siempre limpias las ranuras de ventilación.

Garantía

Festool ofrece una garantía limitada de 3 años, una de las más sólidas de la industria. Esta garantía será válida con la condición previa de que la herramienta se utilice conforme a las instrucciones de funcionamiento de Festool. Festool garantiza que la herramienta especificada no presentará defectos

de material o de acabado durante un periodo de 3 años a partir de la fecha de compra.

Condiciones de la garantía 1+2

Al adquirir una herramienta eléctrica nueva de Festool en un distribuidor autorizado, todos los clientes recibirán de forma gratuita una garantía limitada ampliada (1 año + 2 años = 3 años). Festool será responsable de todos los gastos de envío durante el primer año de vigencia de la garantía. Durante el segundo y tercer año, el cliente será responsable del envío de la herramienta a Festool. Festool pagará la devolución al cliente utilizando el servicio UPS Ground. Todos los servicios de garantía serán válidos durante 3 años a partir de la fecha de compra que figura en el recibo o factura. Puede que se precise una prueba de compra.

Quedan excluidos de la cobertura de la presente garantía el desgaste normal, los daños ocasionados por un uso indebido, abuso o negligencia; los daños provocados por otra causa que no sea un defecto de material o de acabado. La presente garantía no es aplicable a elementos accesorios tales como hojas de sierra circulares, brocas, puntas de fresadora, hojas de calar, bandas lijadoras y ruedas de amolar. El hecho de utilizar la herramienta a una tensión o una frecuencia diferentes de los valores nominales anulará la garantía. Esto incluye el uso de la herramienta combinada con un transformador. Festool no aprueba ni apoya el uso, con productos Festool, de accesorios o consumibles que no hayan sido contruidos, diseñados y fabricados por Festool. La utilización de cualquier producto que no sea de Festool puede afectar al rendimiento o anular la garantía. Festool no se responsabilizará de ningún daño o pérdida y el usuario asumirá los riesgos y la responsabilidad por el uso de productos no derivados de Festool. Se excluyen asimismo las "piezas de desgaste" como, por ejemplo, cepillos de carbón, láminas de herramientas neumáticas, abrazaderas y juntas de caucho, platos lijadores y artículos de ropa de Festool (gorras y camisetitas). Las obligaciones de Festool, según su propio criterio y de acuerdo con la presente garantía, se

limitarán a la reparación, sustitución o reembolso del precio de compra de cualquier herramienta eléctrica portátil de Festool en la que se haya detectado un defecto de material o de acabado durante el periodo de garantía. FESTOOL NO SERÁ RESPONSABLE DE NINGÚN DAÑO CONSECUENCIAL, INCIDENTAL O ESPECIAL, INDEPENDIENTEMENTE DEL FUNDAMENTO LEGAL EN EL QUE SE BASE LA RECLAMACIÓN. TODAS LAS GARANTÍAS IMPLÍCITAS DE ACUERDO CON LA LEGISLACIÓN ESTATAL, INCLUIDAS LAS DE COMERCIALIZACIÓN Y ADECUACIÓN PARA UN FIN PARTICULAR, SE LIMITARÁN POR LA PRESENTE A UNA DURACIÓN DE TRES AÑOS.

En determinados estados de EE. UU. y provincias de Canadá, las limitaciones de duración de una garantía implícita no están permitidas, de modo que es posible que la limitación anterior no sea aplicable en su caso. La presente garantía le otorga derechos legales específicos; además, es posible que goce de otros derechos que varíen en los diferentes estados de EE. UU. y provincias de Canadá.

A excepción de cualquier garantía implícita de acuerdo con la legislación estatal o provincial y limitada según lo expuesto anteriormente, la garantía limitada expresa precedente será exclusiva y sustituirá a todas las demás garantías, acuerdos y obligaciones similares de Festool. Festool no concede ninguna otra garantía, ya sea expresa o implícita, para sus herramientas eléctricas portátiles. Esta póliza de garantía únicamente será válida para aquellas herramientas que se hayan adquirido en EE. UU. y Canadá. Las pólizas de garantía de otros países podrán diferir al acudir al servicio de garantía fuera de EE. UU. y Canadá. Determinados países excluyen de la garantía los productos adquiridos fuera de su territorio. Festool se reserva el derecho de rechazar la reparación de cualquier herramienta que no forme parte de la línea de productos de EE. UU./Canadá. Ningún agente, representante, distribuidor, proveedor o empleado de Festool estará autorizado a incrementar o modificar las obligaciones o limitaciones estipuladas en la presente garantía.